

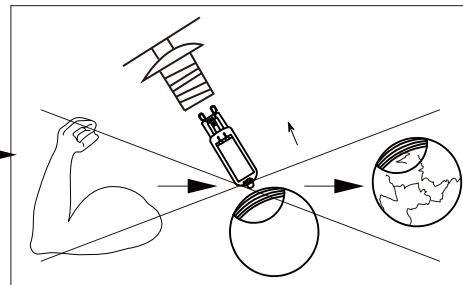
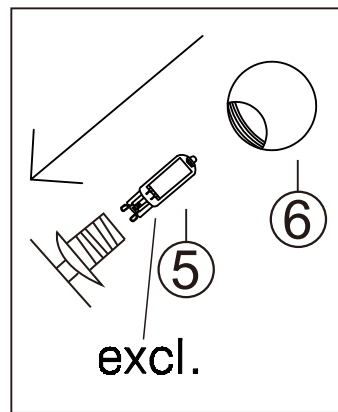
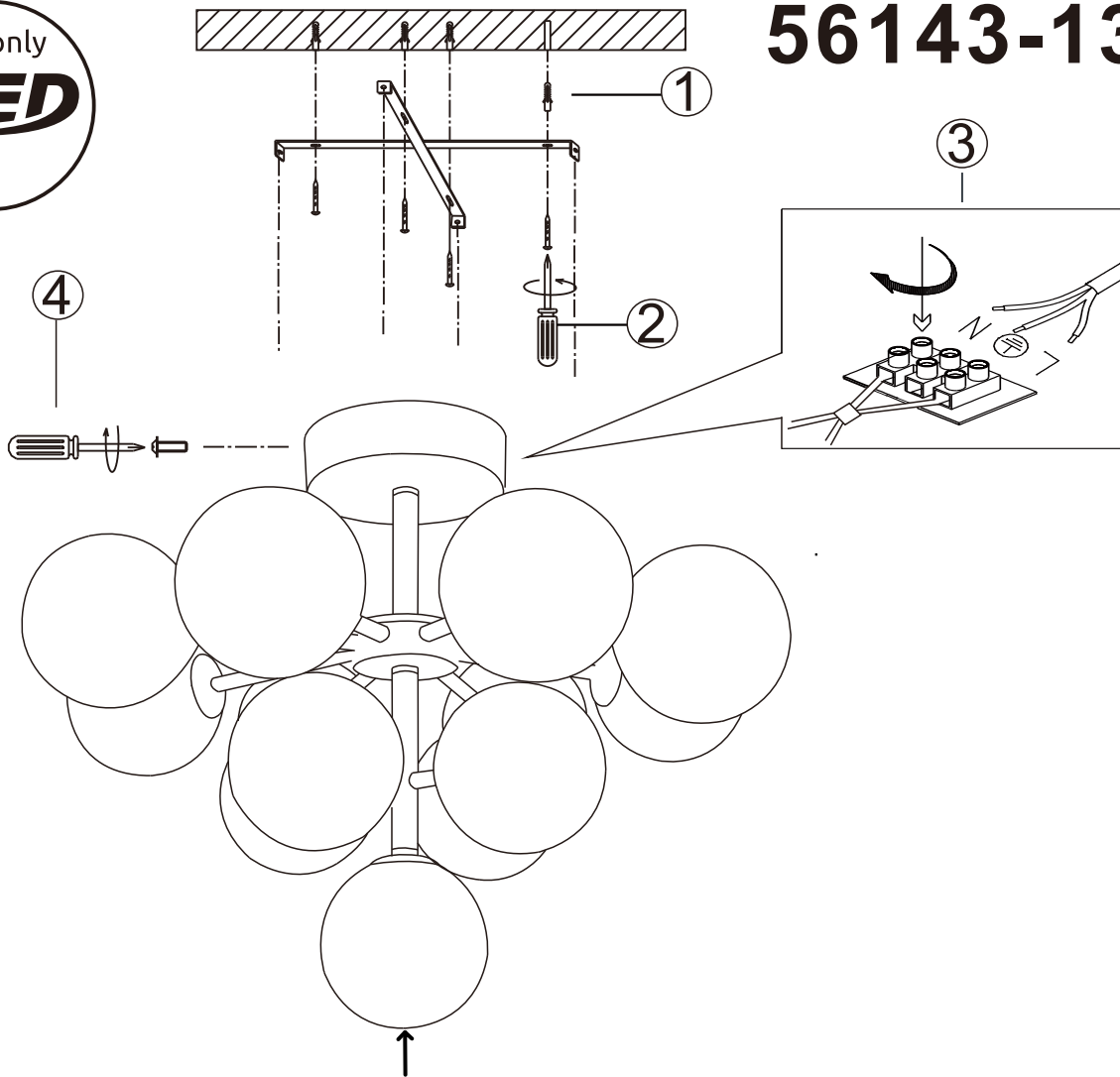
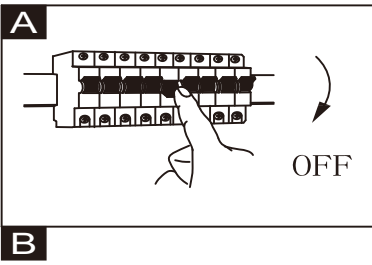
# GLOBO

LIGHTING

56143-13D

56143-13GD

56143-13ND



13X MAX 5W LED G9  
220-240V~ 50/60Hz

GLOBO Handels GmbH  
Gewerbestr. 3  
A-9184 Sankt Peter  
Austria  
[www.globo-lighting.com](http://www.globo-lighting.com)  
[office@globo-lighting.com](mailto:office@globo-lighting.com)

