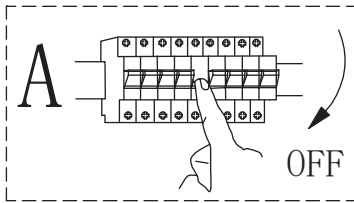


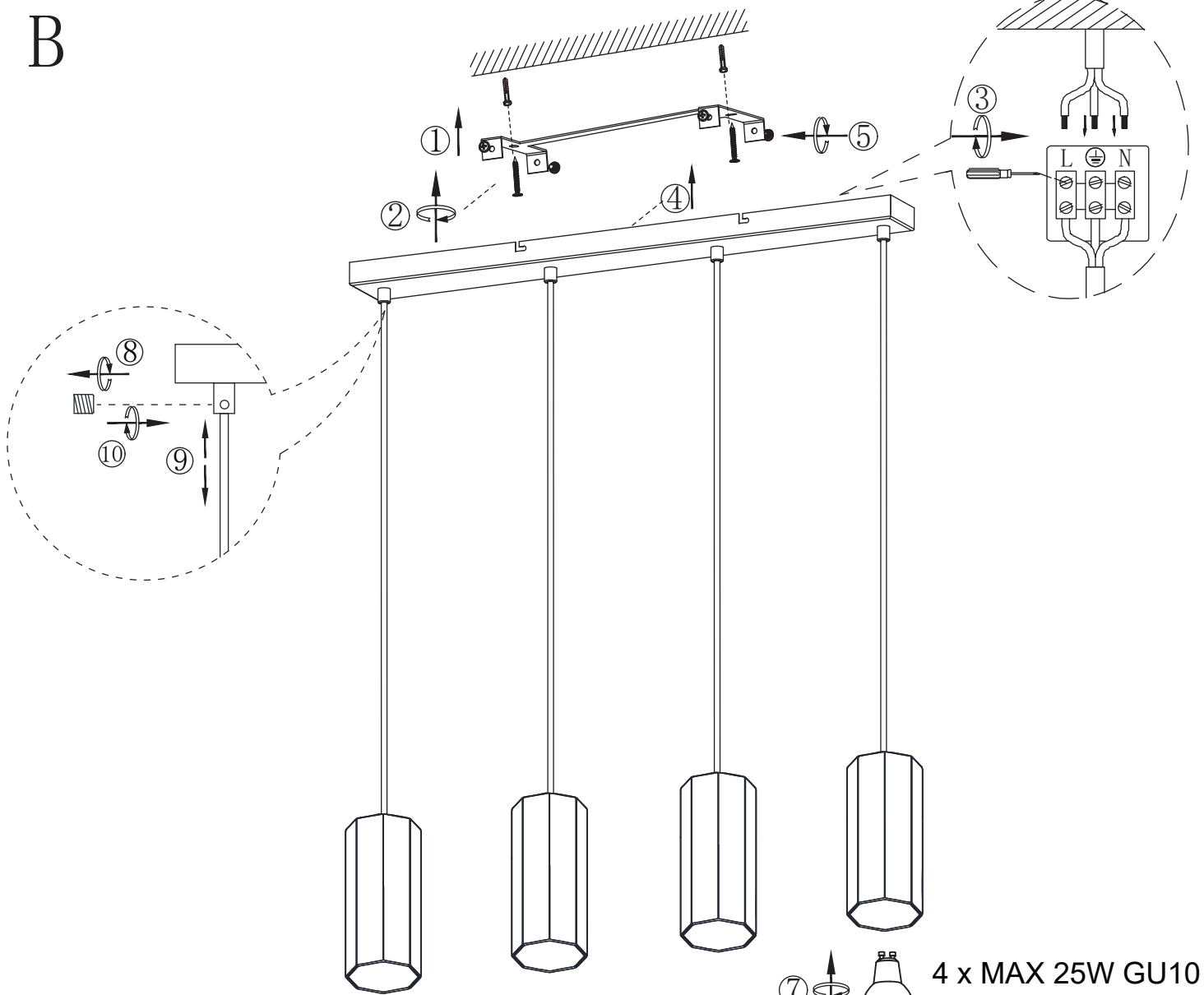
# GLOBO



LIGHTING

57918-4H  
 57919-4H  
 57918-4HB  
 57918-4HW



B



- ⑦  4 x MAX 25W GU10  
230V~50Hz
- ⑥ 

GLOBO Handels GmbH  
 Gewerbestr. 3  
 A-9184 Sankt Peter Austria  
[www.globo-lighting.com](http://www.globo-lighting.com)  
[office@globo-lighting.com](mailto:office@globo-lighting.com)

