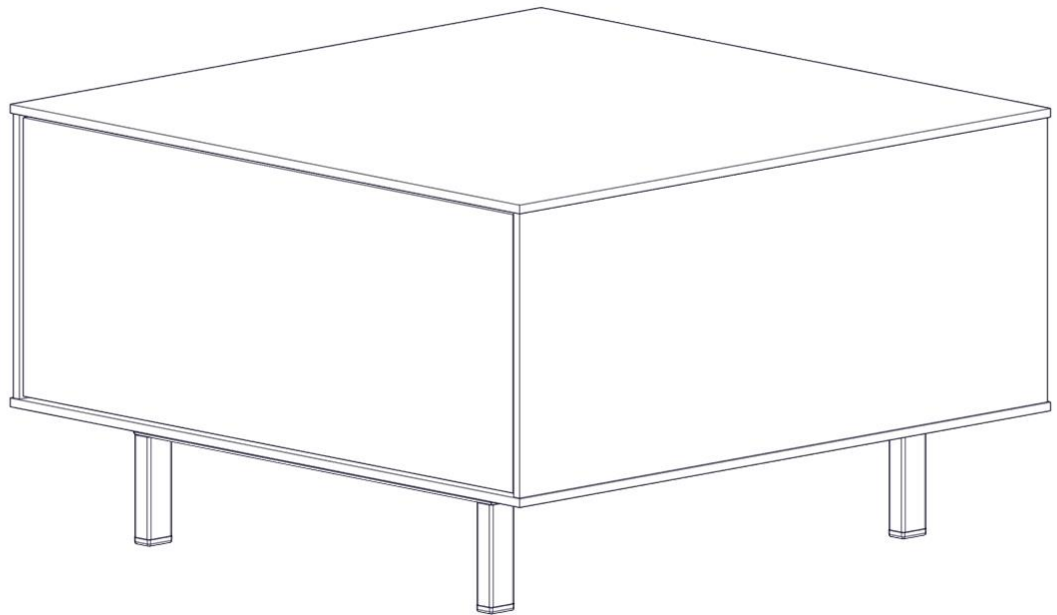
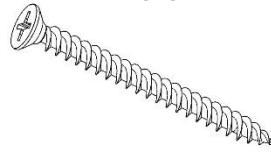
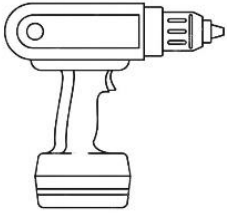
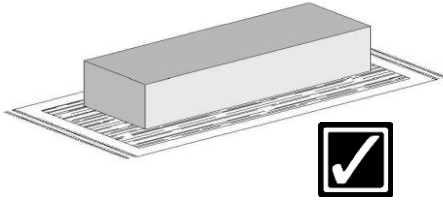




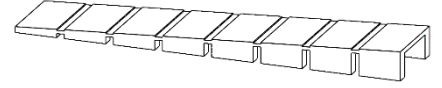
Famous JE





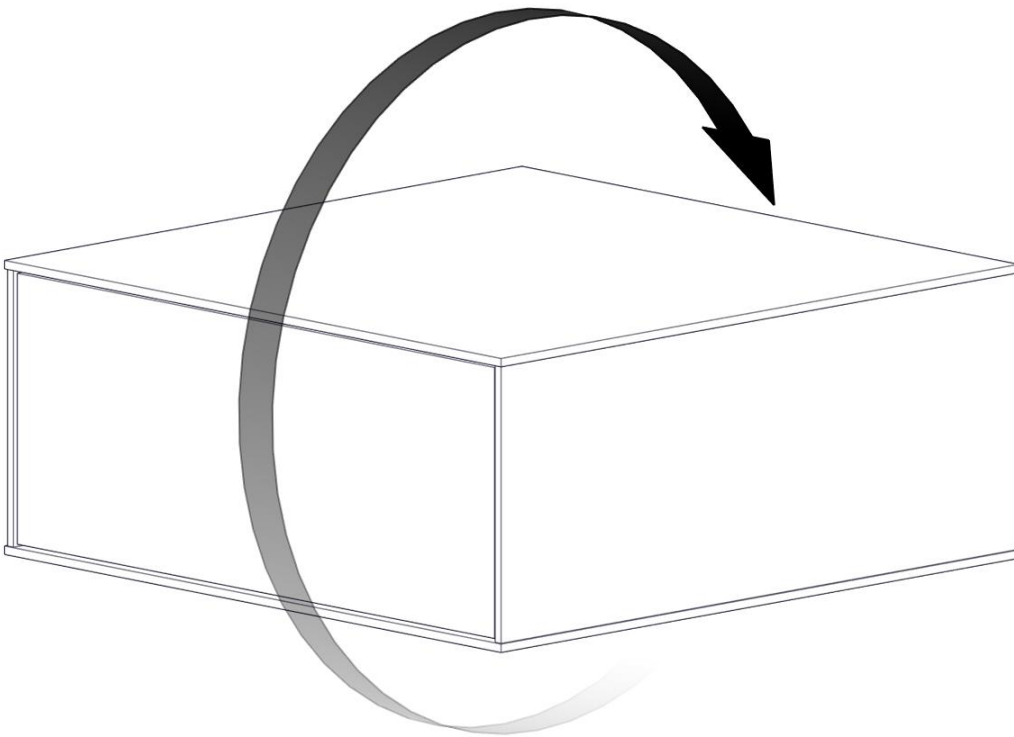
4x45 = 12x

A

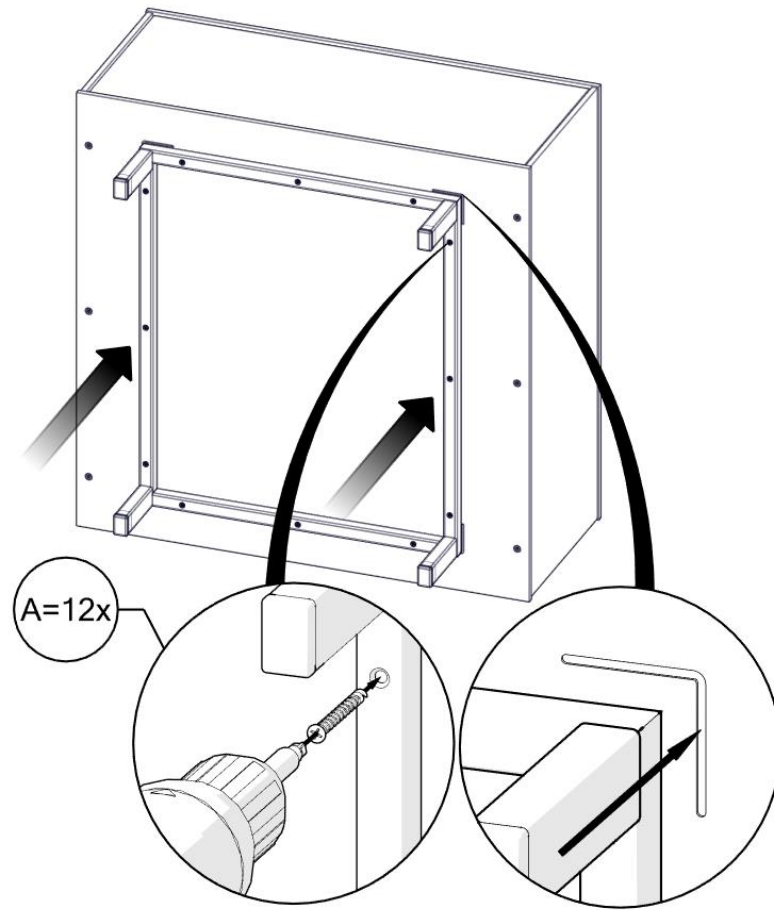


2x

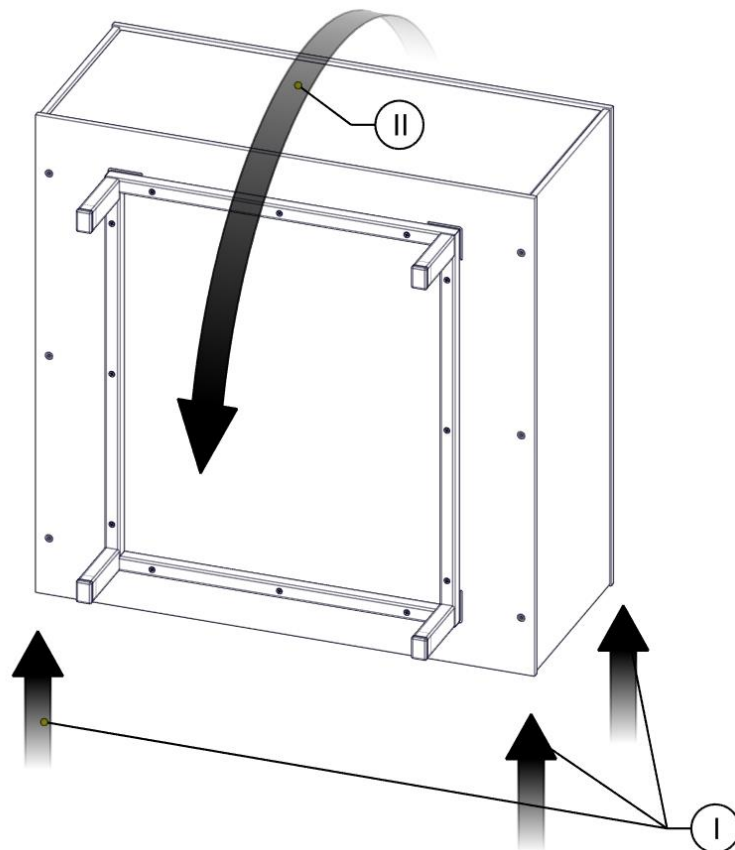
1.



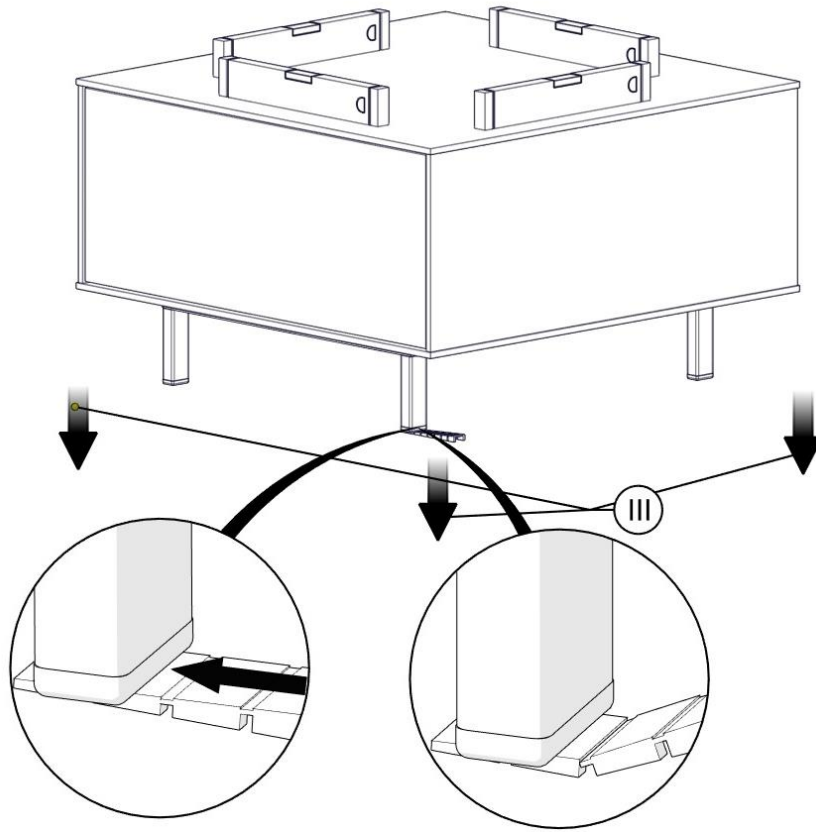
2.



3.



4.



5.

