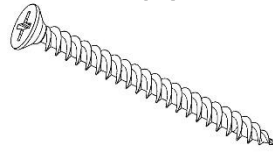
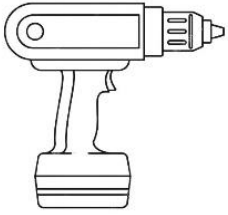
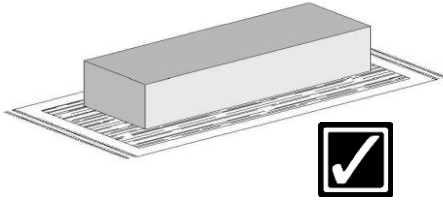




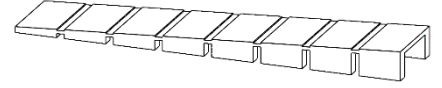
Famous IC





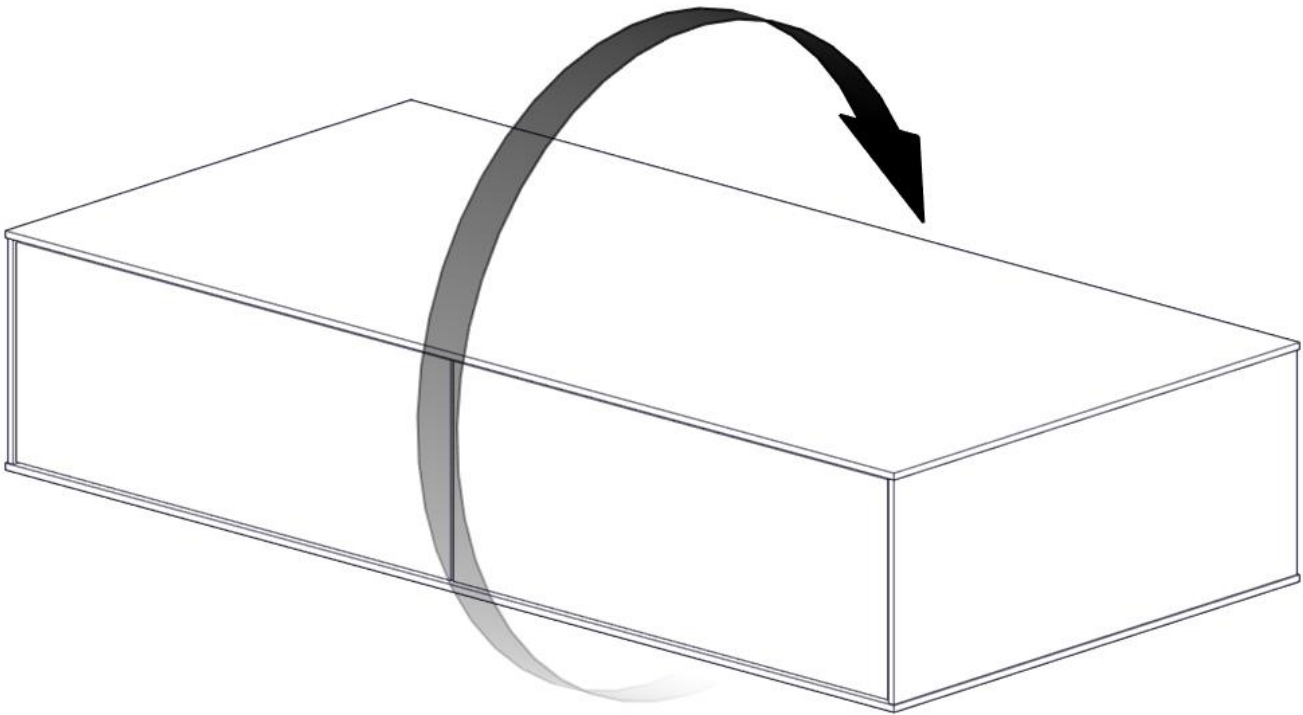
4x45 = 17x

A

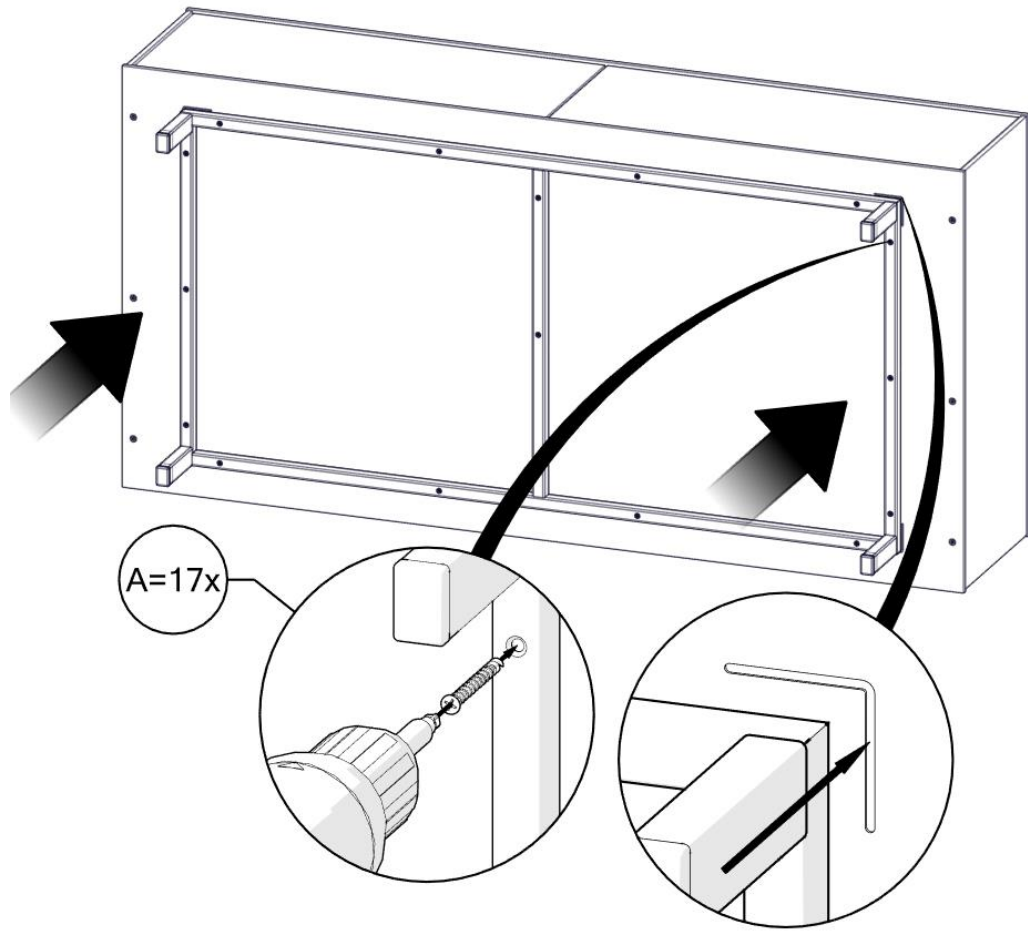


2x

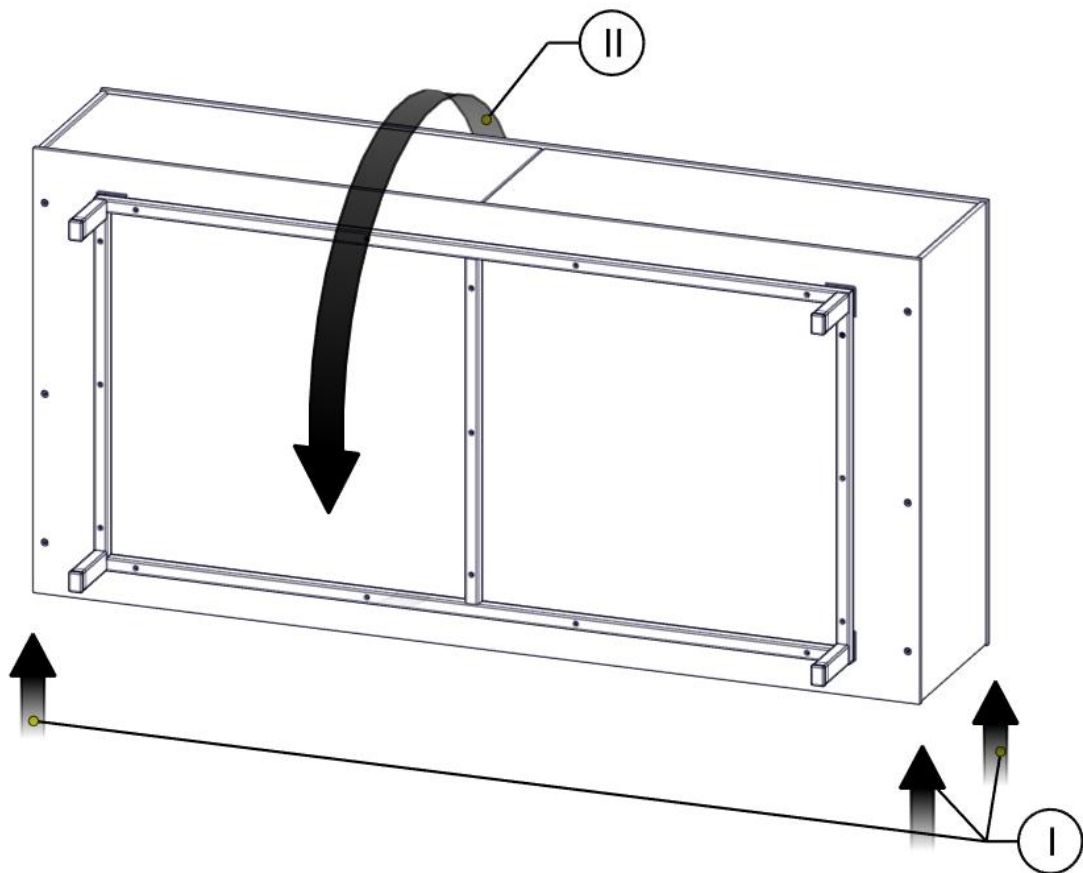
1.



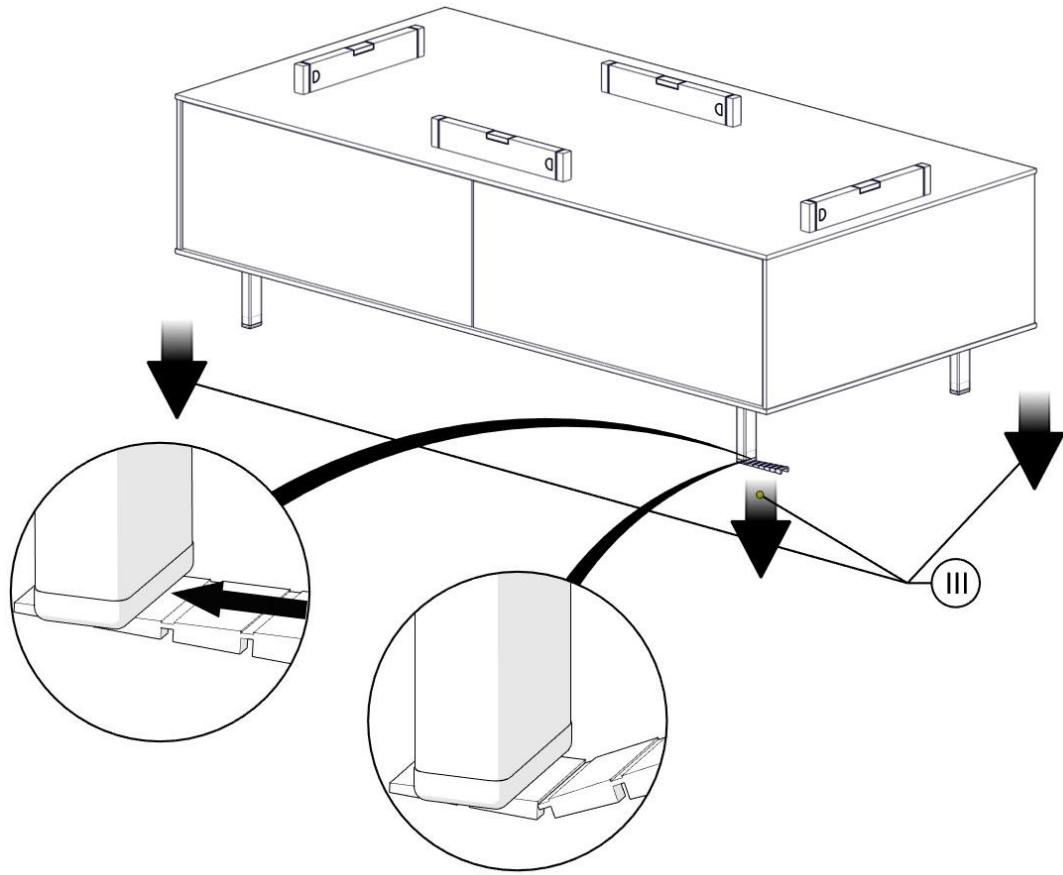
2.



3.



4.



5.

