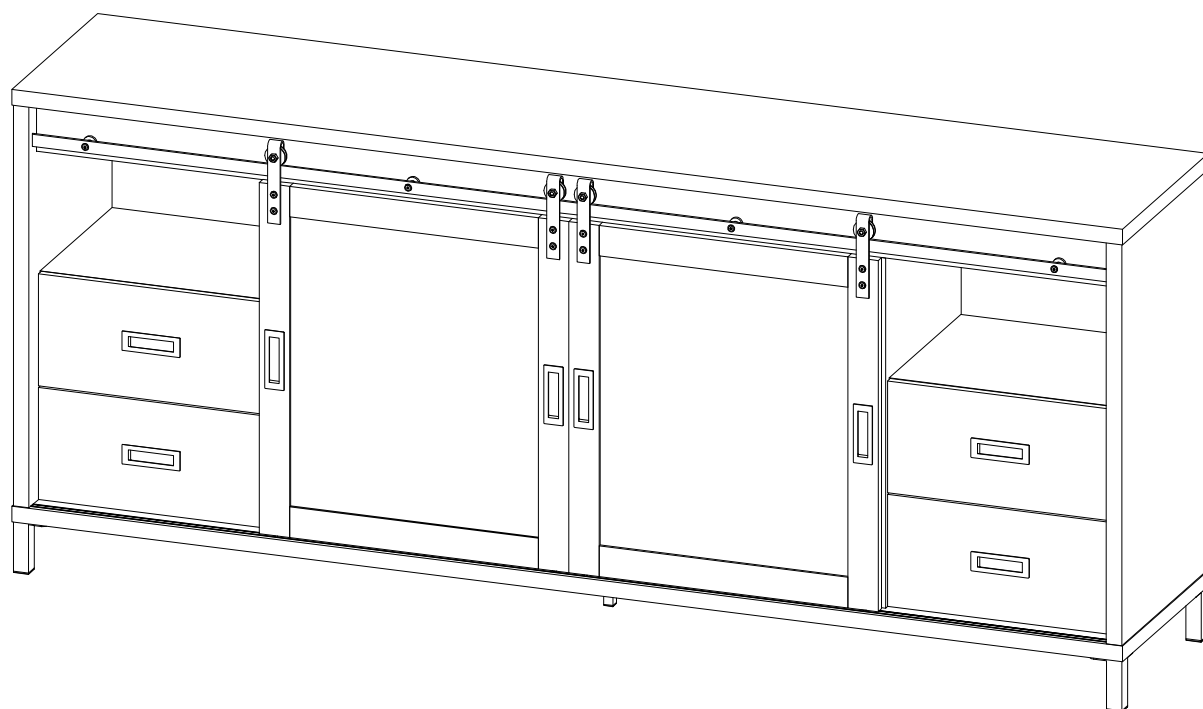
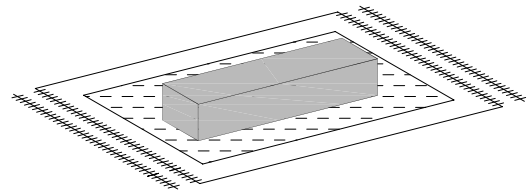
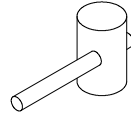
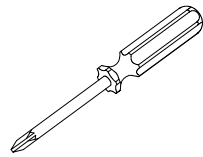
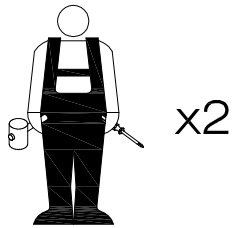


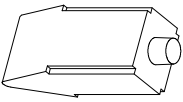



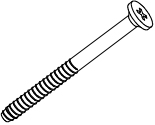

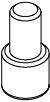
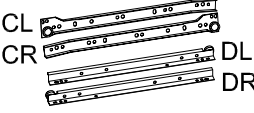

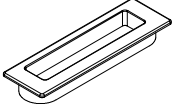

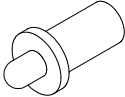



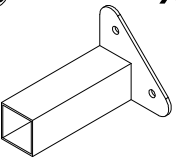
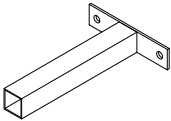
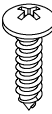
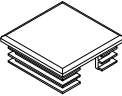

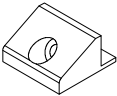

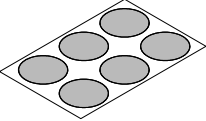
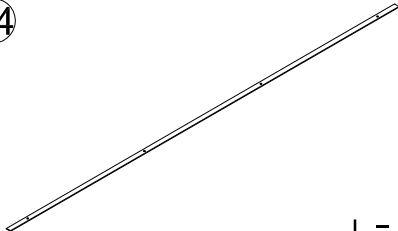
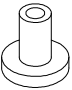
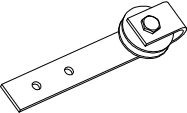
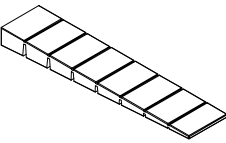
# 71072

# SIDE TABLE

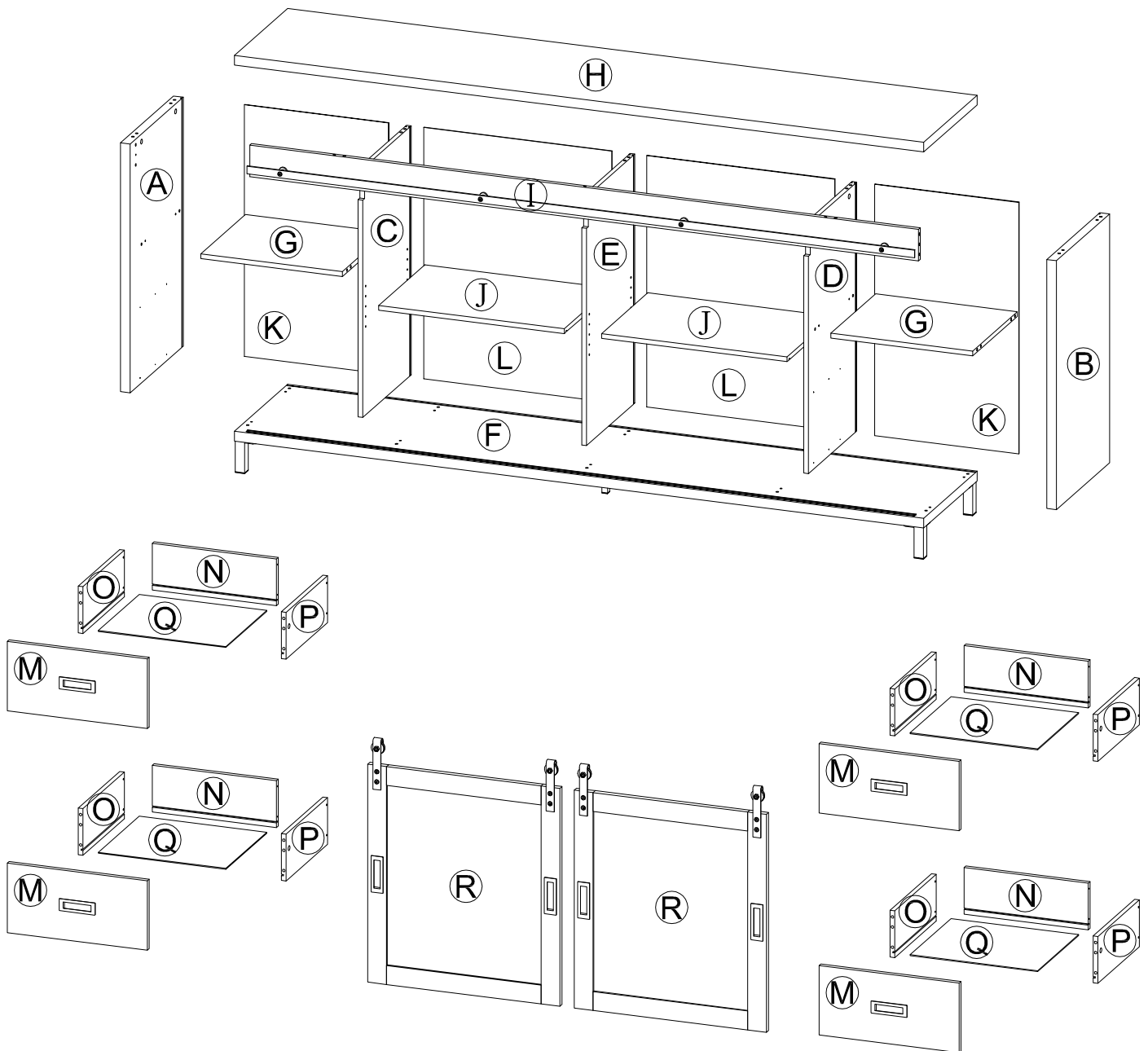
# DRESSOIR





①	x 1	②	x 50	③	x 31	④	x 31	⑤	x 10
	40g		∅8 x 30mm		35mm		∅15 x 12mm		55mm
⑥	x 16	⑦	x 8	⑧	x 4	⑨	x 48	⑩	x 8
	35mm		15mm		350mm		12mm		115mm
⑪	x 16	⑫	x 4	⑬	x 4	⑭	x 8	⑮	x 1
	∅4 x 15mm		24mm		M6x43mm		M6x19mm		
⑯	x 4	⑰	x 1	⑱	x 10	⑲	x 4	⑳	x 1
	30 x 30 x 97mm		18 x 18 x 95mm		∅5 x 20mm		30 x 30mm		18 x 18mm
㉑	x 8	㉒	x 8	㉓	x 6	㉔	x 1		
	16 x 8.5mm		19mm		∅20mm				L = 2130mm
㉕	x 4	㉖	x 4	㉗	x 2				
	∅25x25mm		∅40.5x160mm						

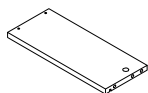
**HARDWARE PACK IS LOCATED IN B2  
BESLAG VERPAKT IN PAKKET 2 / 2**



**B1 PARTS IDENTIFICATION :**  
**1/2 BESCHRIJVING ONDERDELEN :**

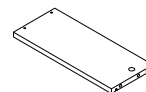
<p>(F) BOTTOM PANEL (F) BODEM PANEEL</p>		<p>1PC</p>	<p>(I) UPPER CROSS BRACE (I) VOORREGEL</p>		<p>1PC</p>
<p>(H) TOP PANEL (H) BLAD</p>		<p>1PC</p>	<p>(N) DRAWER BACK PANEL (N) ACHTERWAND LADE</p>		<p>4PCS</p>

(O) LEFT DRAWER SIDE PANEL  
(O) ZIJDE LADE LINKS



4PCS

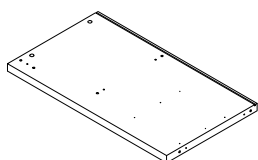
(P) RIGHT DRAWER SIDE PANEL  
(P) ZIJDE LADE RECHTS



4PCS

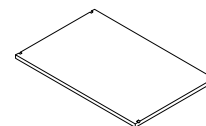
## B2 PARTS IDENTIFICATION : 2/2 BESCHRIJVING ONDERDELEN :

(A) LEFT SIDE PANEL  
(A) ZIJPANEEL LINKS



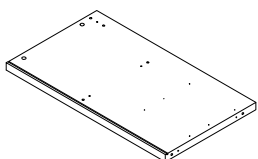
1PC

(J) ADJUSTABLE SHELF  
(J) VERSTLBAAR SCHAP



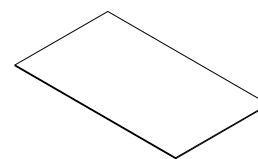
2PCS

(B) RIGHT SIDE PANEL  
(B) ZIJPANEEL RECHTS



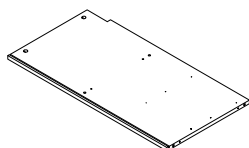
1PC

(K) BACK PANEL  
(K) ACHTERWAND



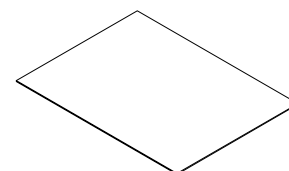
2PCS

(C) LEFT DIVIDER PANEL  
(C) TUSSENSCHOT LINKS



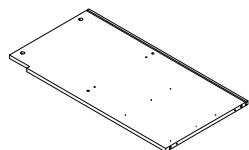
1PC

(L) MIDDLE BACK PANEL  
(L) ACHTERWAND MIDDEN



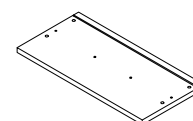
2PCS

(D) RIGHT DIVIDER PANEL  
(D) TUSSENSCHOT RECHTS



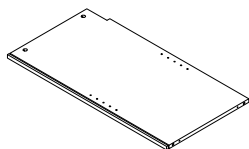
1PC

(M) DRAWER FRONT PANEL  
(M) LADEFRONT



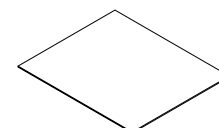
4PCS

(E) MIDDLE DIVIDER PANEL  
(E) TUSSENSCHOT MIDDEN



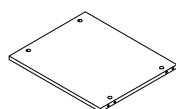
1PC

(Q) DRAWER BOTTOM PANEL  
(Q) LADEBODEM



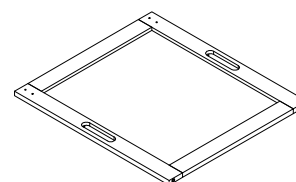
4PCS

(G) CROSS PANEL  
(G) TUSSEN BODEM



2PCS

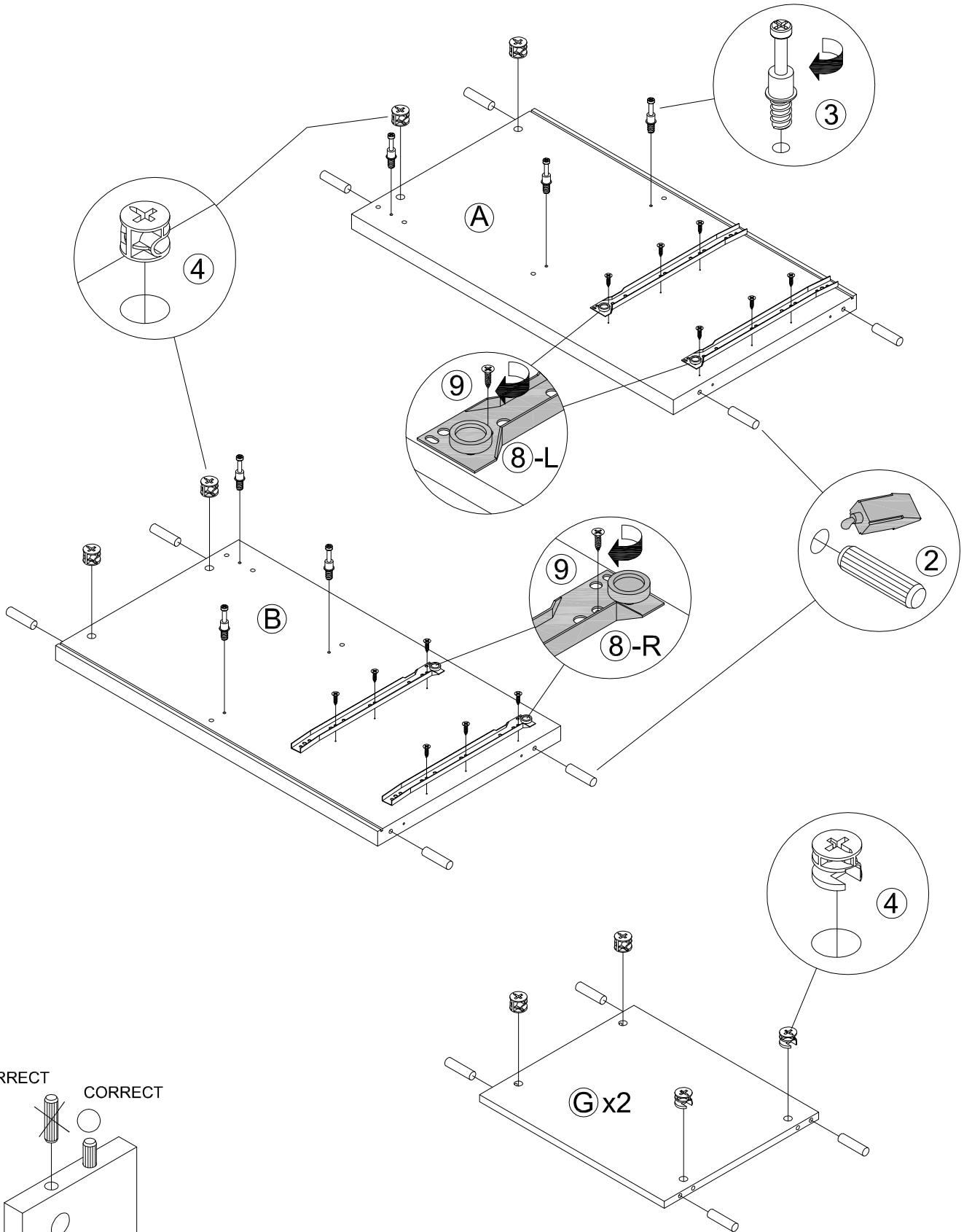
(R) DOOR  
(R) DEUR



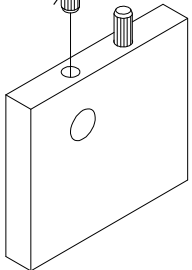
2PCS

- ② x 16
- ③ x 6
- ④ x 12
- ⑧ x 2L  
x 2R
- ⑨ x 12  
12mm

1



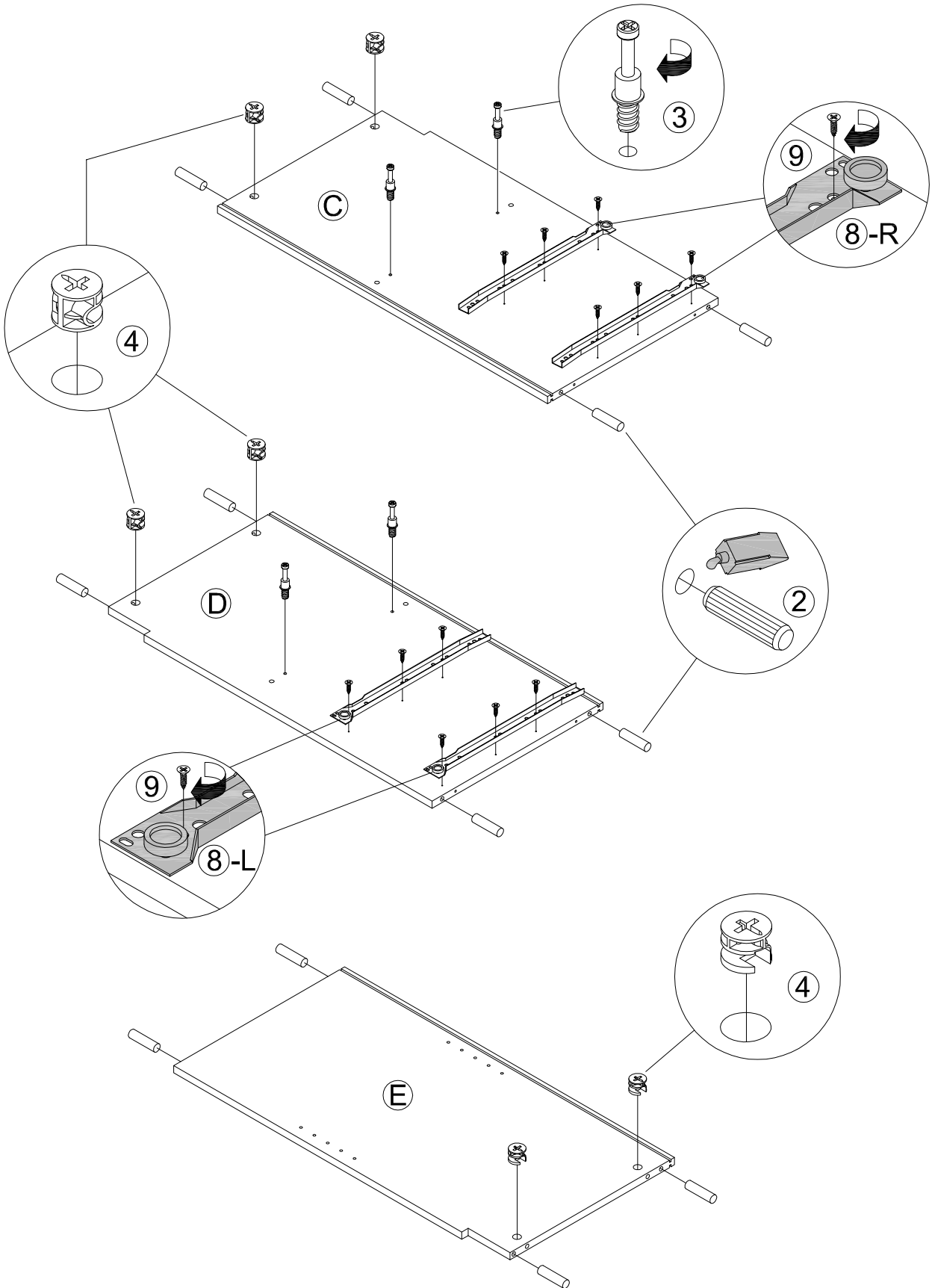
INCORRECT      CORRECT



APPLY GLUE ON ALL WOODEN DOWELS TO ENSURE INTEGRITY OF THE STRUCTURE.  
BRENG LIJM AAN OP ALLE HOUTEN DEUVELS TEN BEHOEVE VAN DE STEVIGHEID.

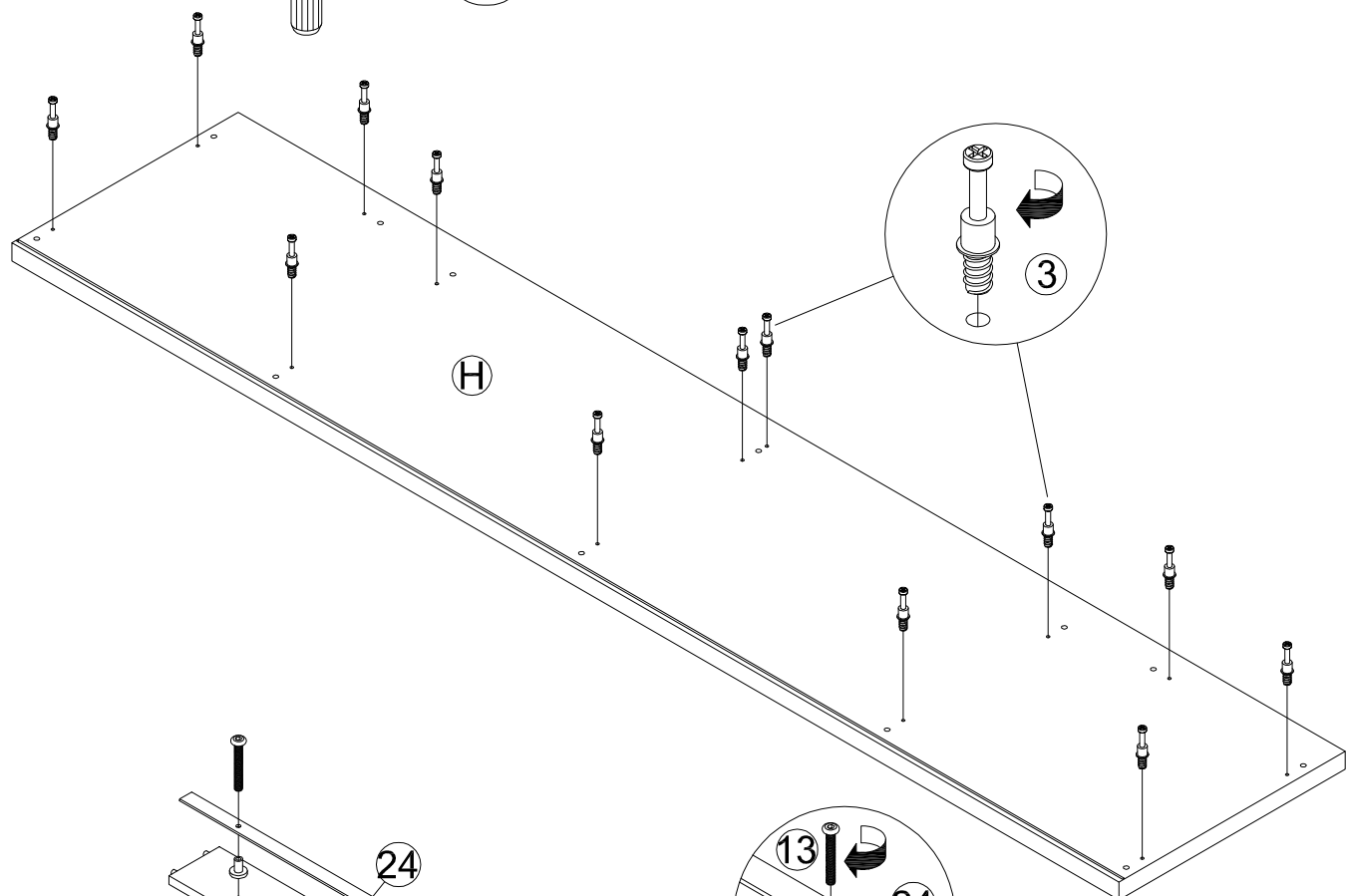
- ② x 12
- ③ x 4
- ④ x 6
- ⑧ x 2L  
x 2R
- ⑨ x 12  
12mm

2

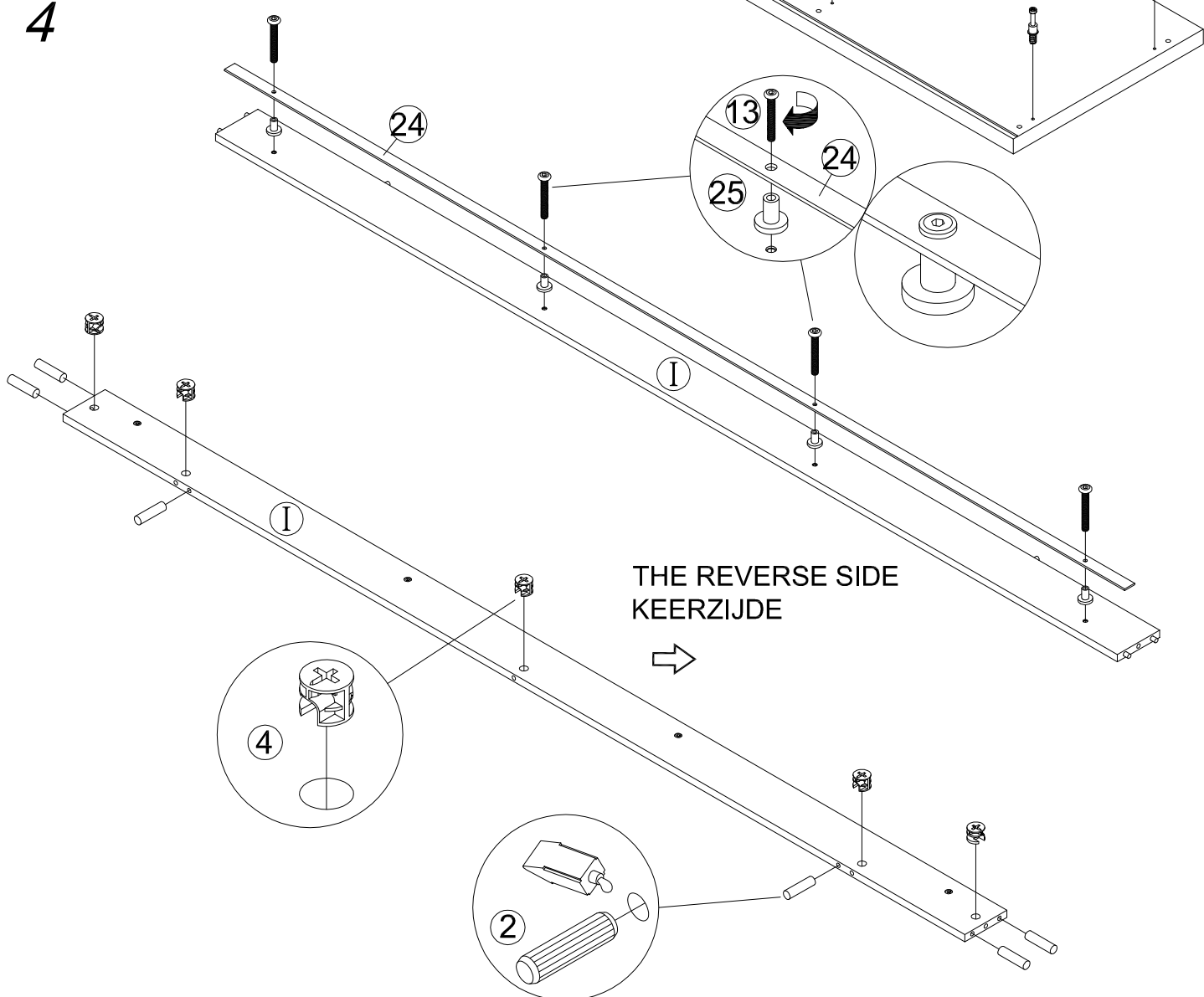


- ③ x 13
- ② x 6
- ④ x 5
- ②⑤ x 4
- ⑬ x 4  
44mm
- ⑮ x 1

3



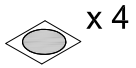
4



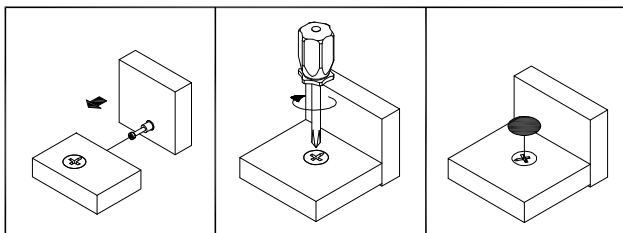
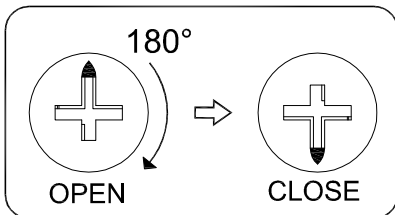
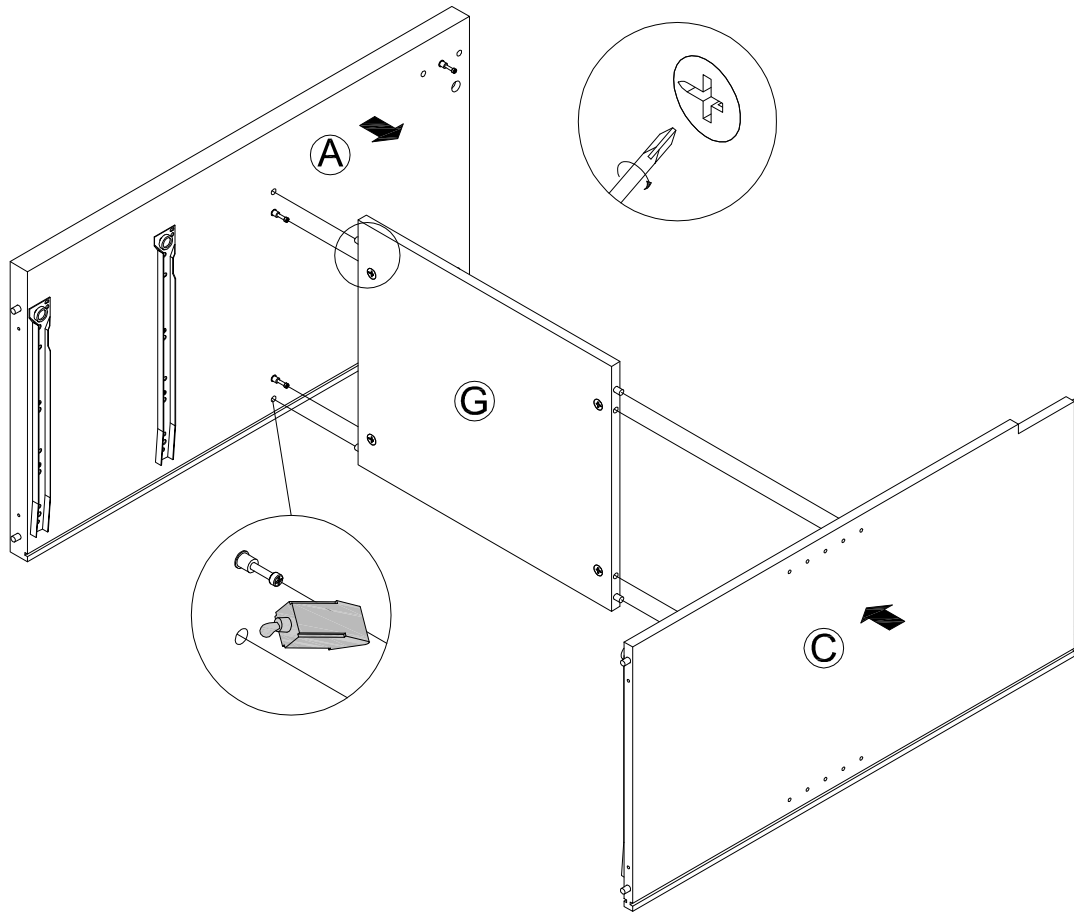
THE REVERSE SIDE  
KEERZIJDE



23



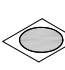
5



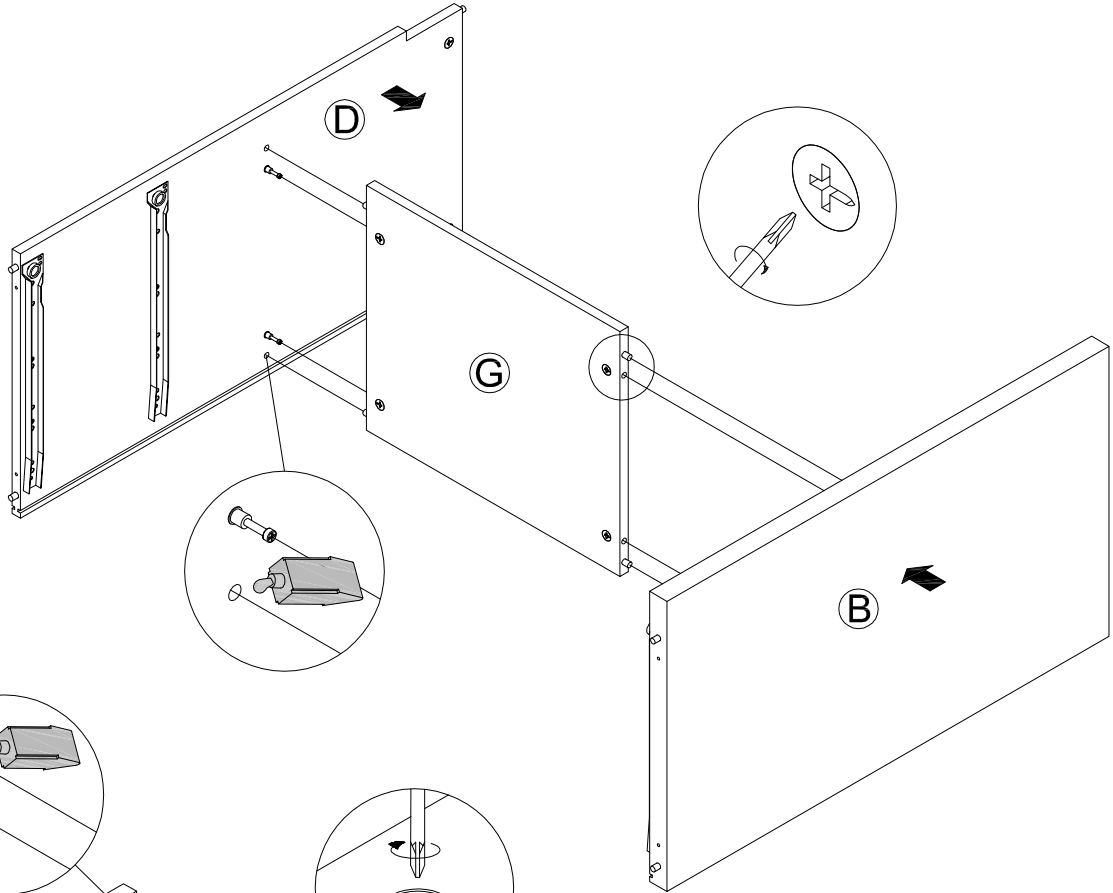
WHEN CAM BOLTS (3) IS ATTACHED, INSERT CAM CLOCKS (4)  
AN TIGHTLY FASTEN BY TURNING CLOCKWISE.  
SCHUIF DE CONNECTOR (4) ERIN ZODRA DE CONNECTOR PIN (3)  
AANGEBRACHT IS EN BEVESTIG DEZE STEVIG DOOR MET DE  
KLOK MEE TE DRAAIEN.



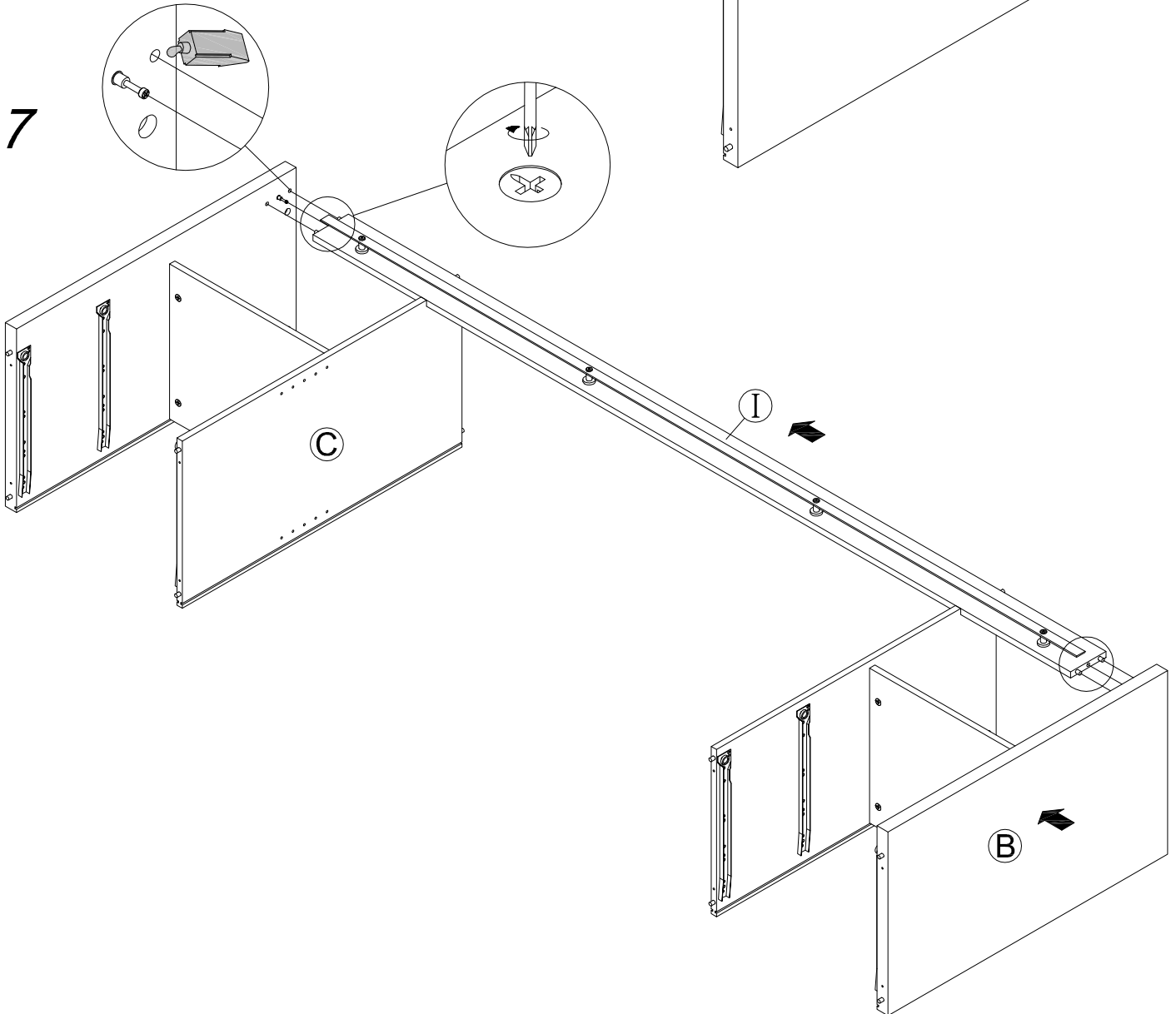
23

 x 6

6



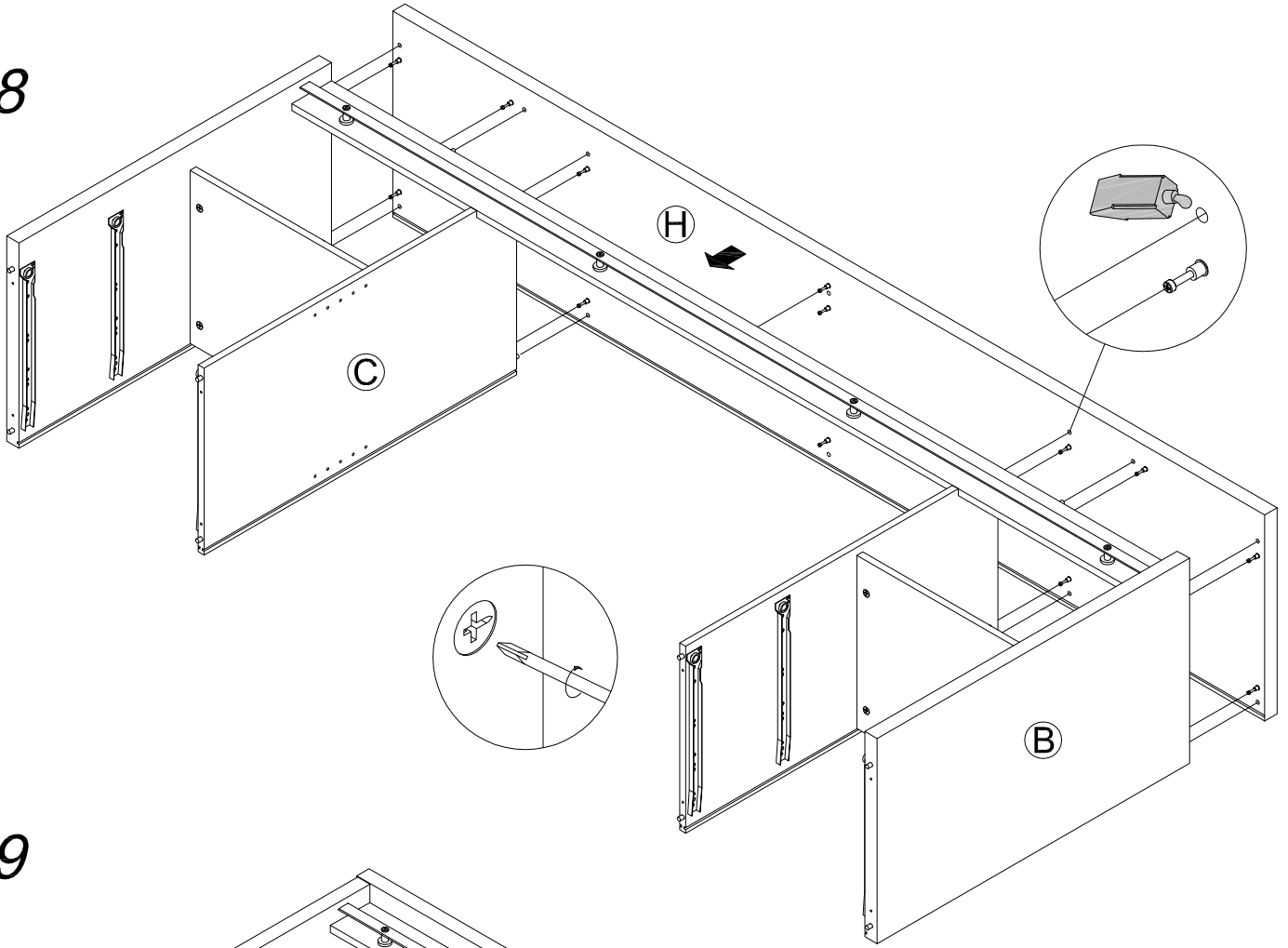
7



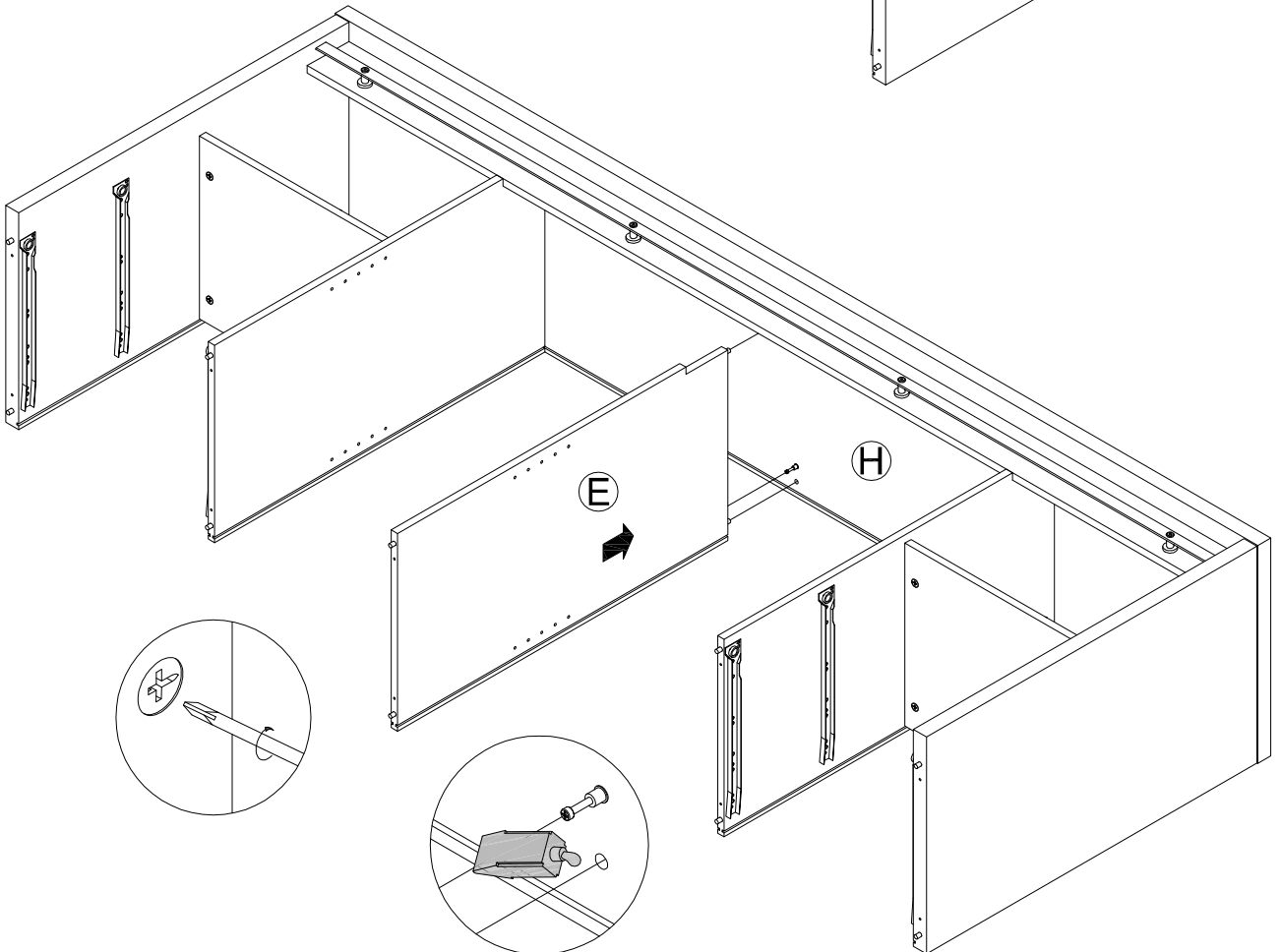
23

x 13

8

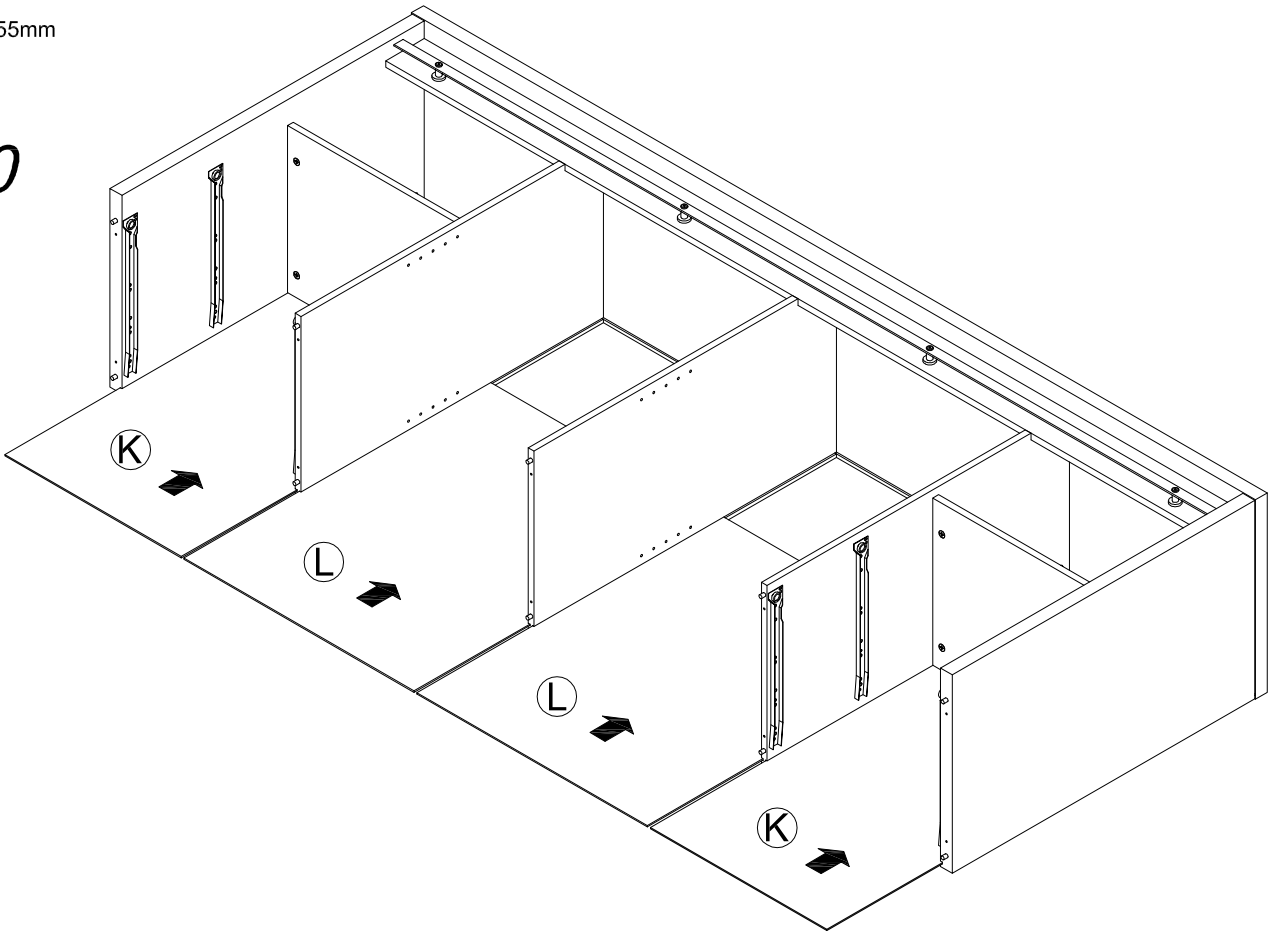


9

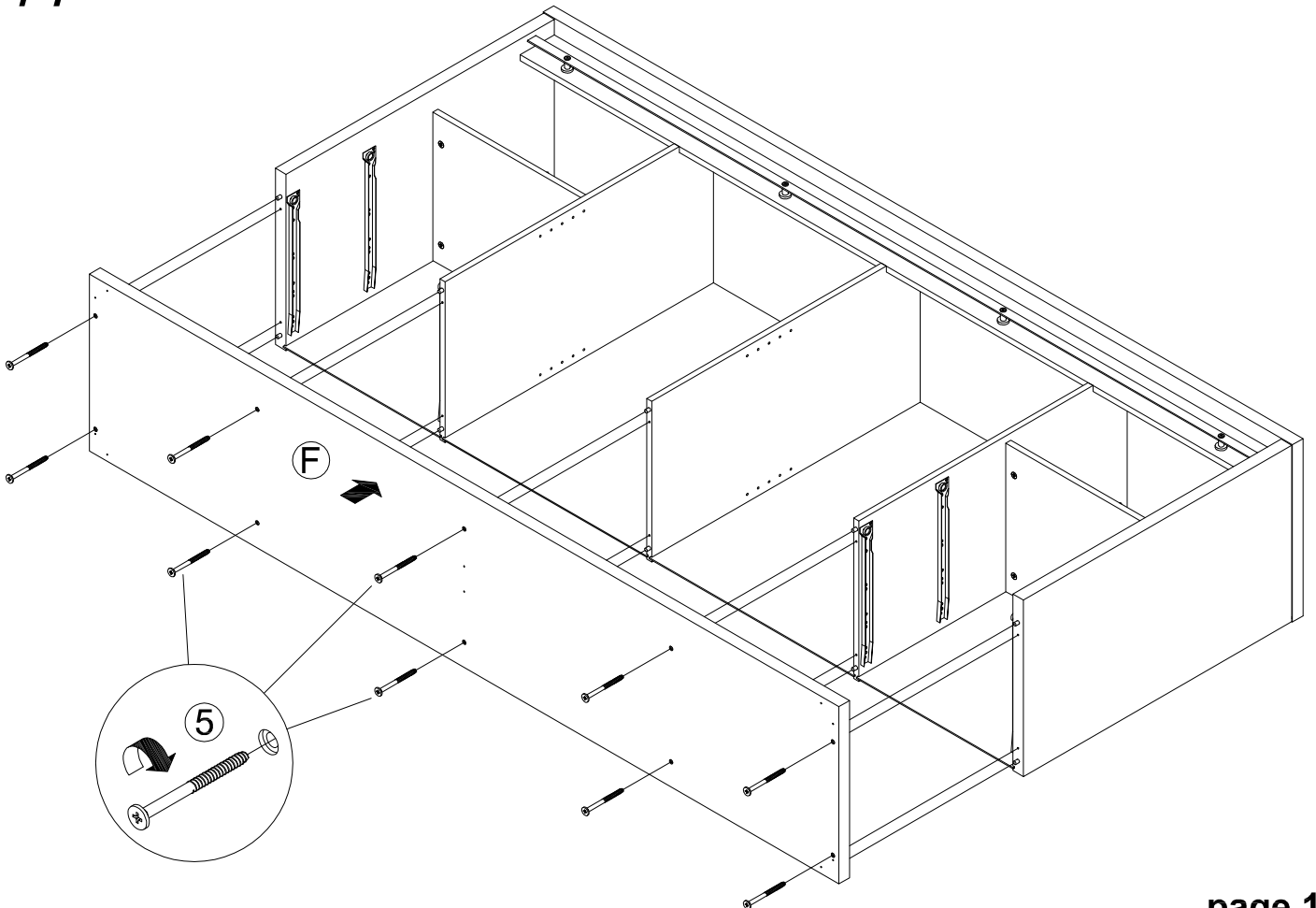


5  
x 10  
55mm

10

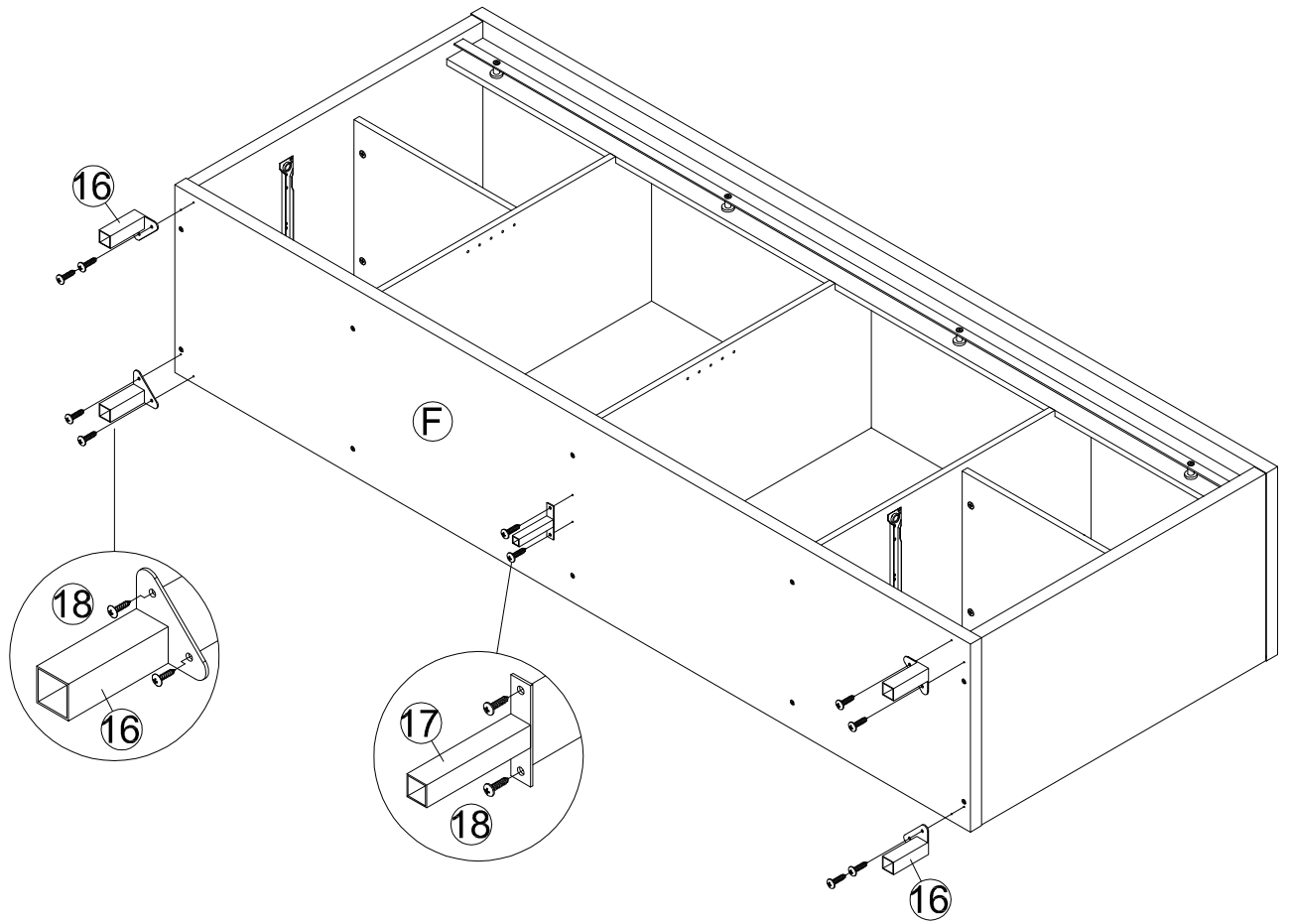


11

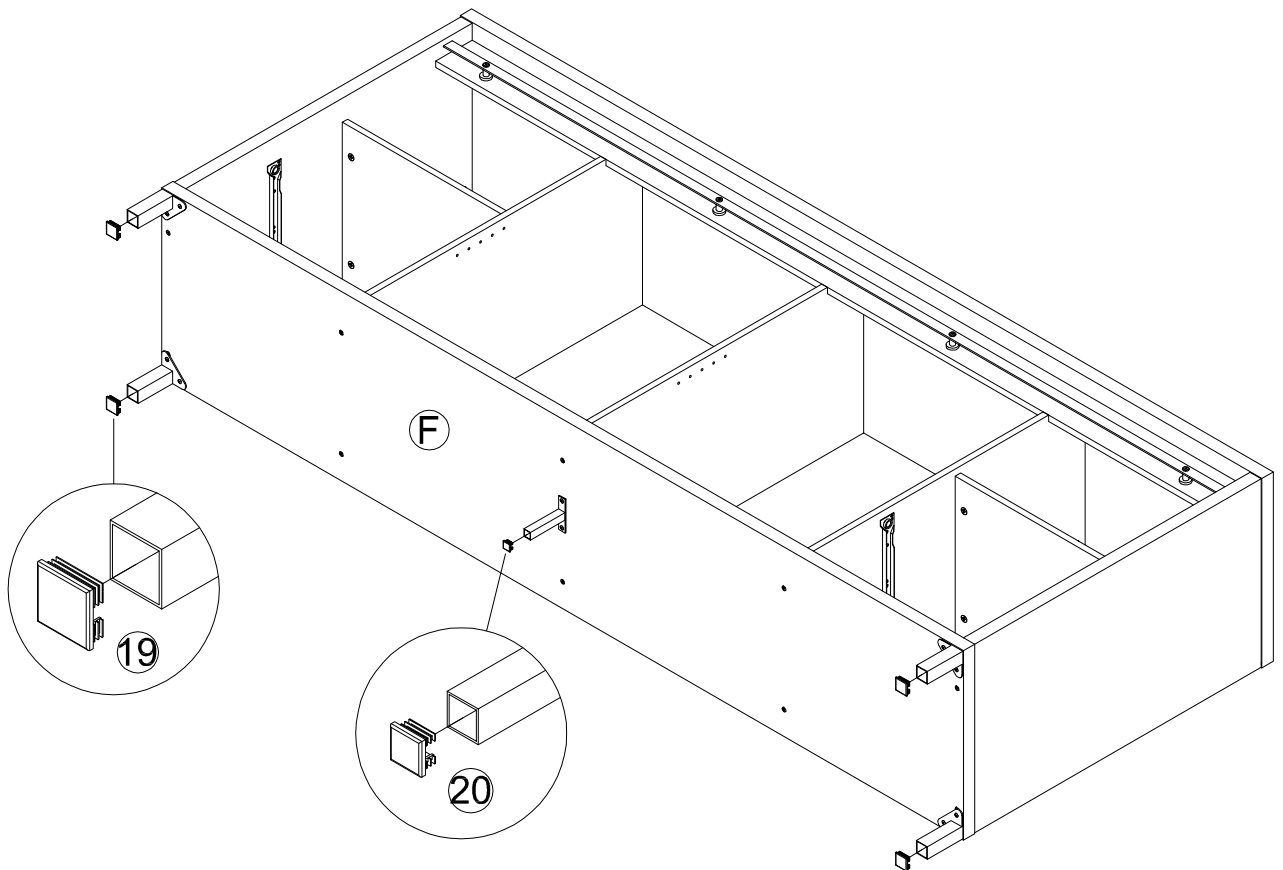


- ①⑥ x 4
- ①⑦ x 1
- ①⑧ x 10  
20mm
- ①⑨ x 4
- ②① x 1

12



13

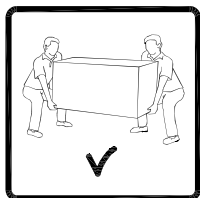
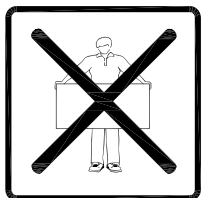
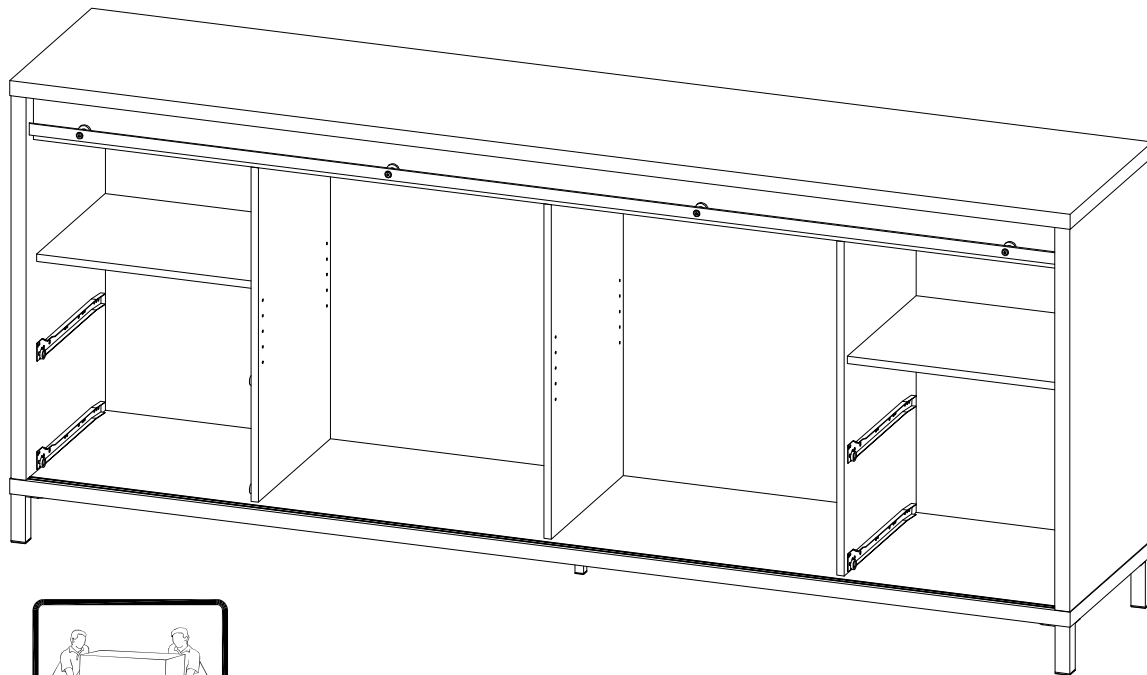


7

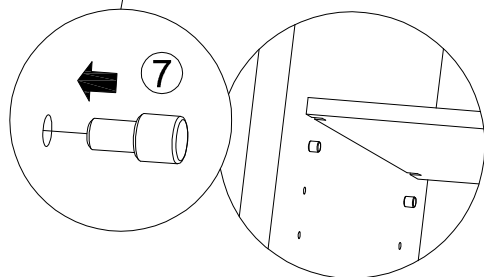
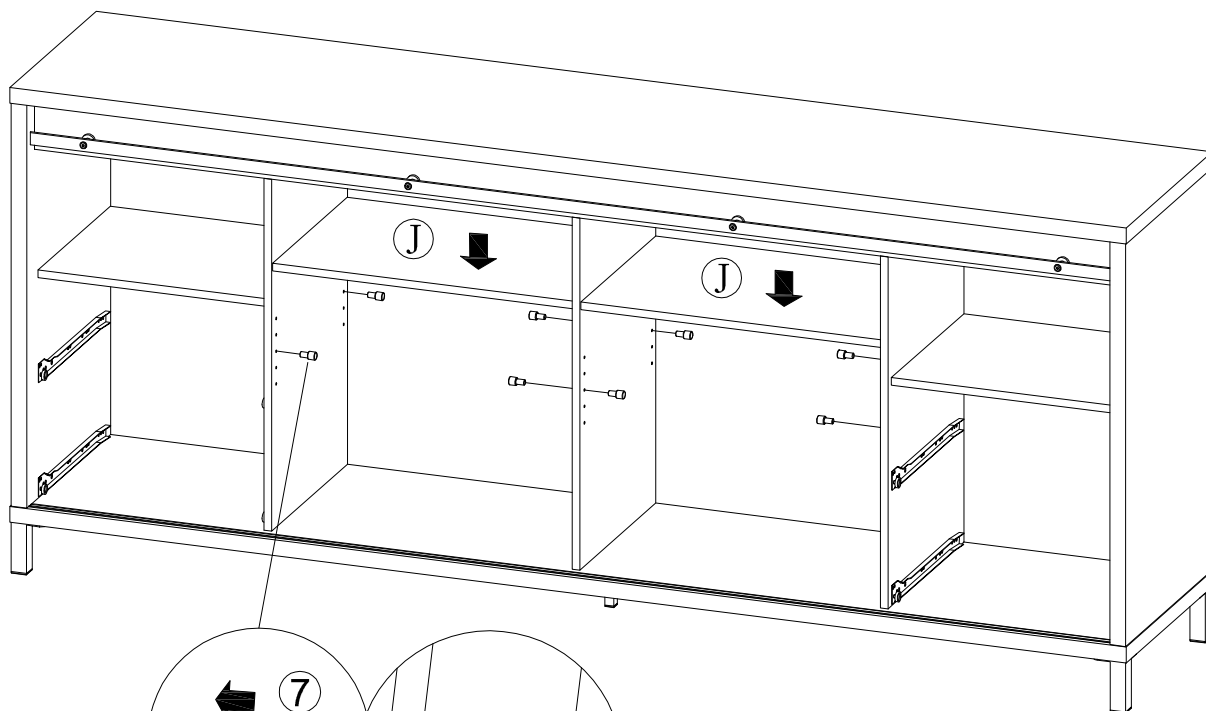
x 8

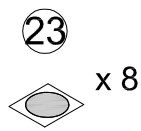
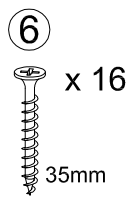
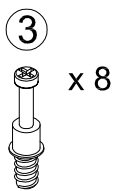
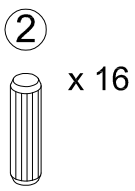


14

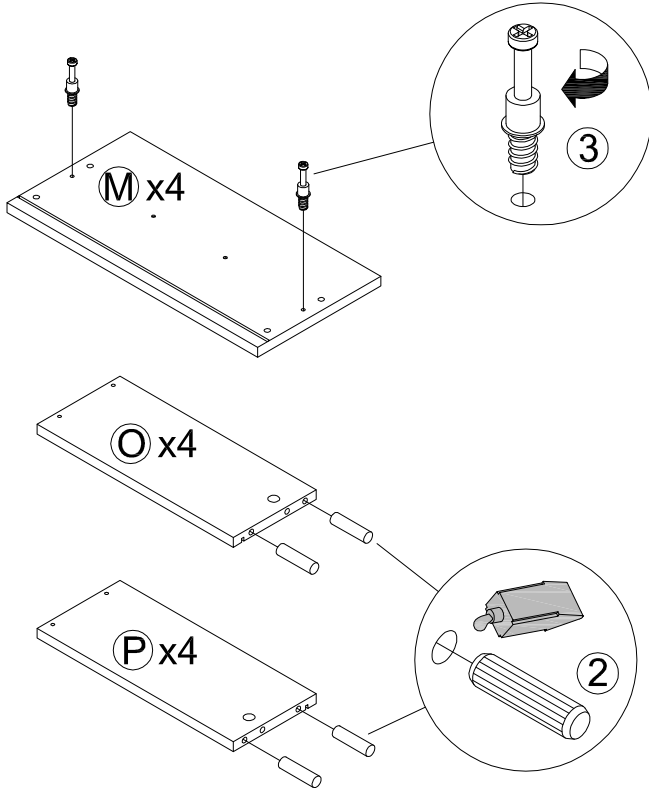


15

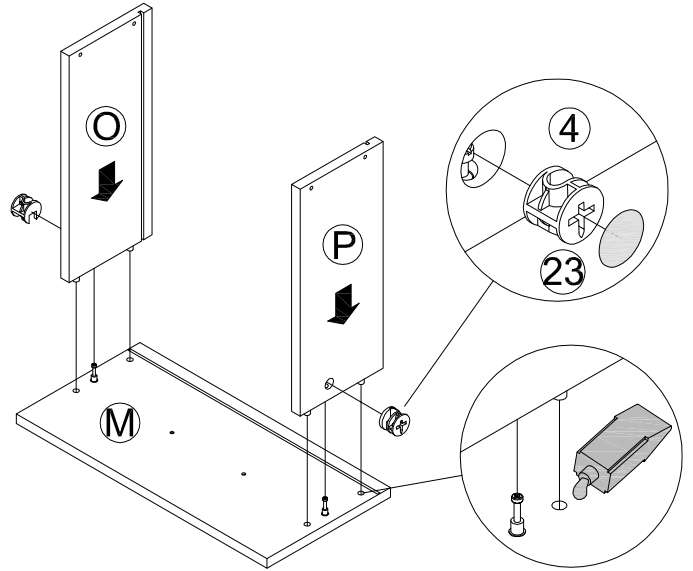




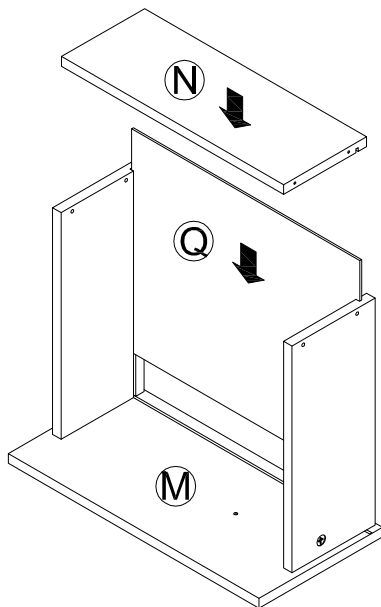
16



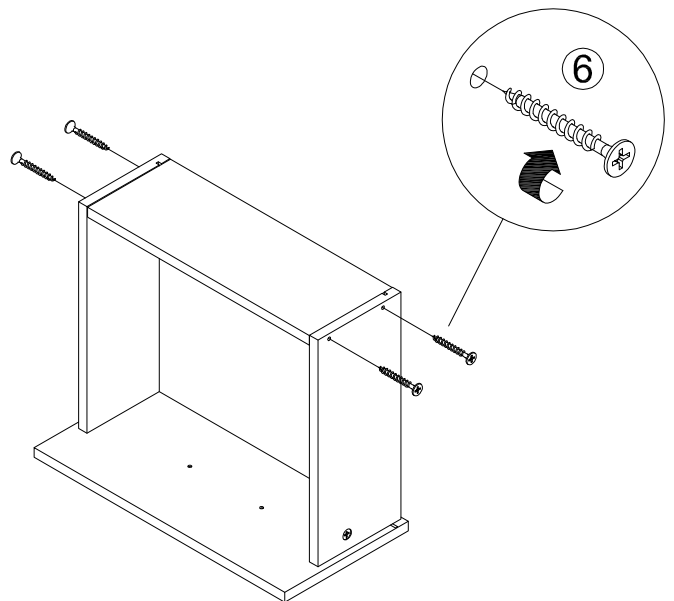
17



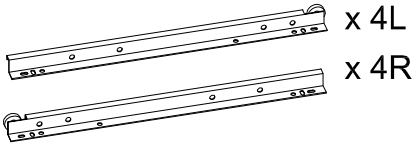
18



19



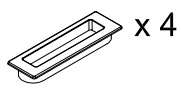
8



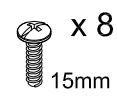
9



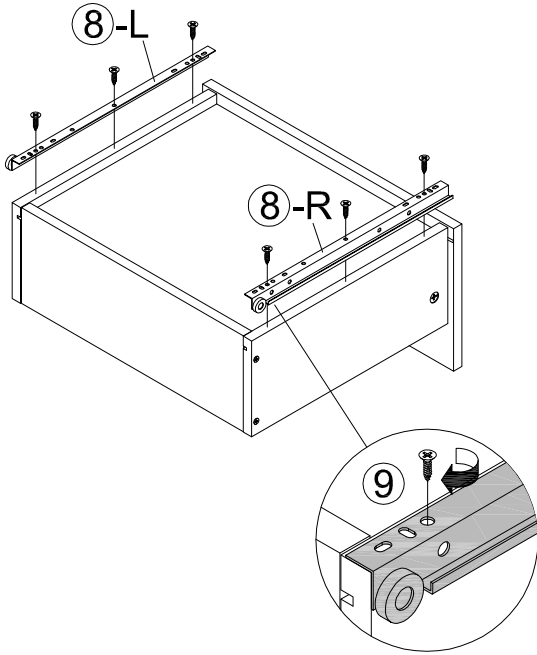
10



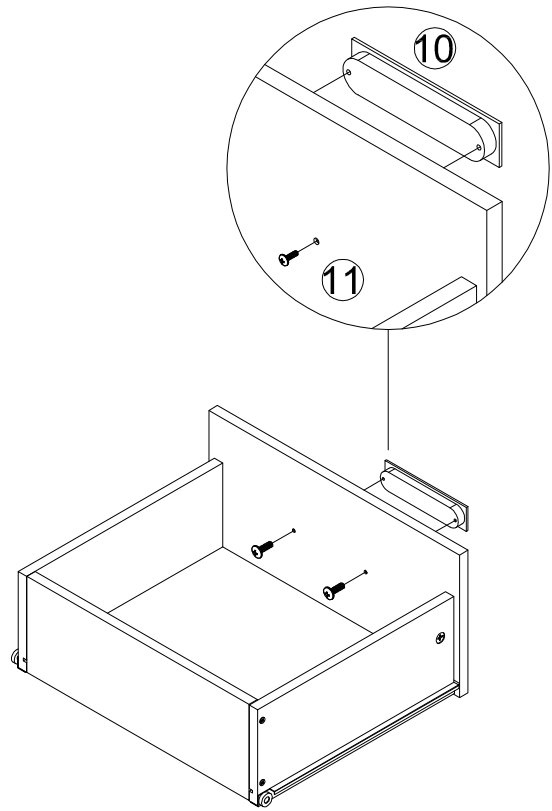
11



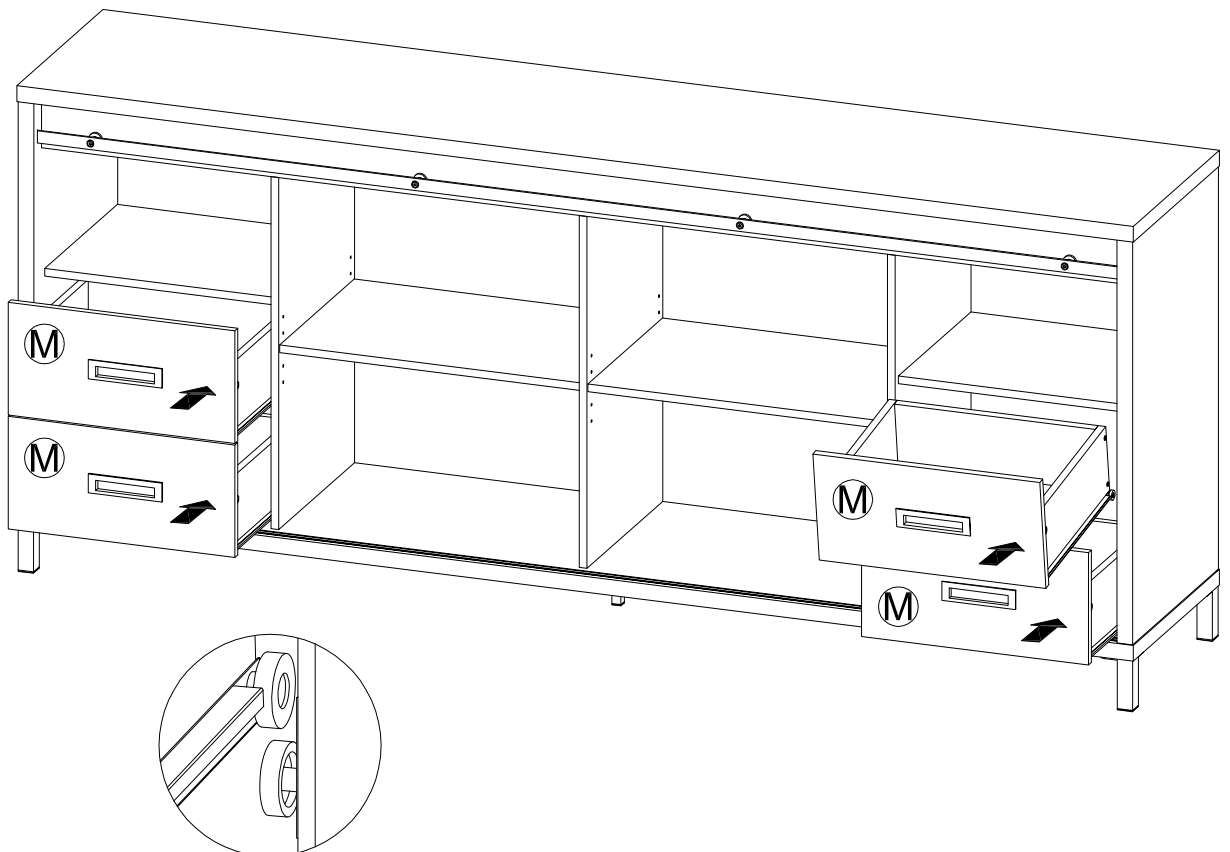
20

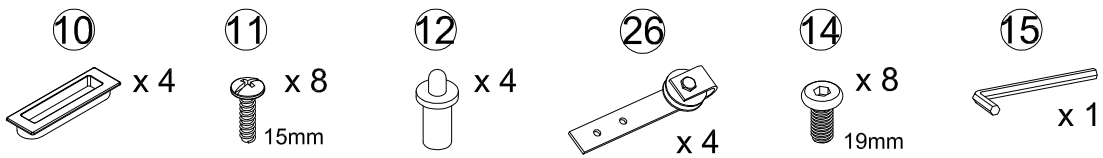


21

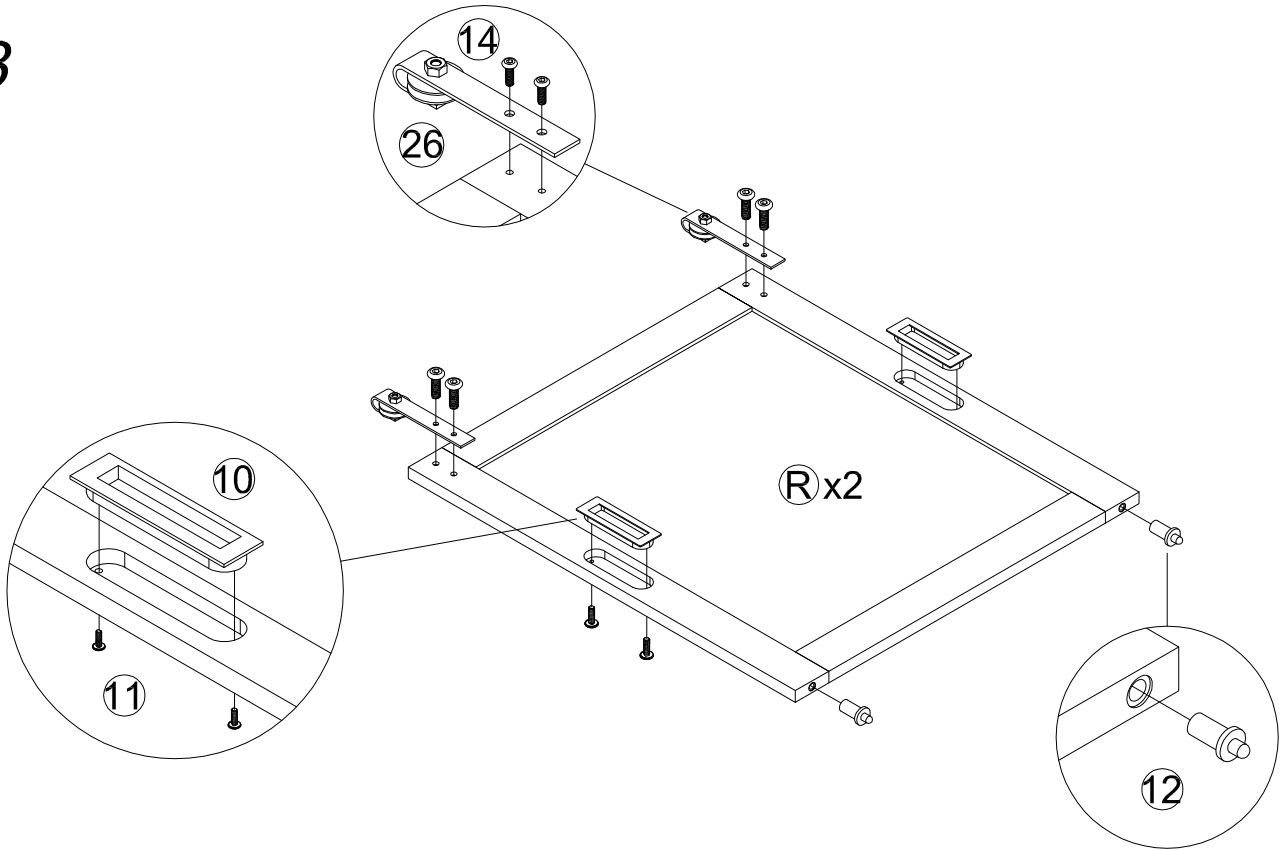


22

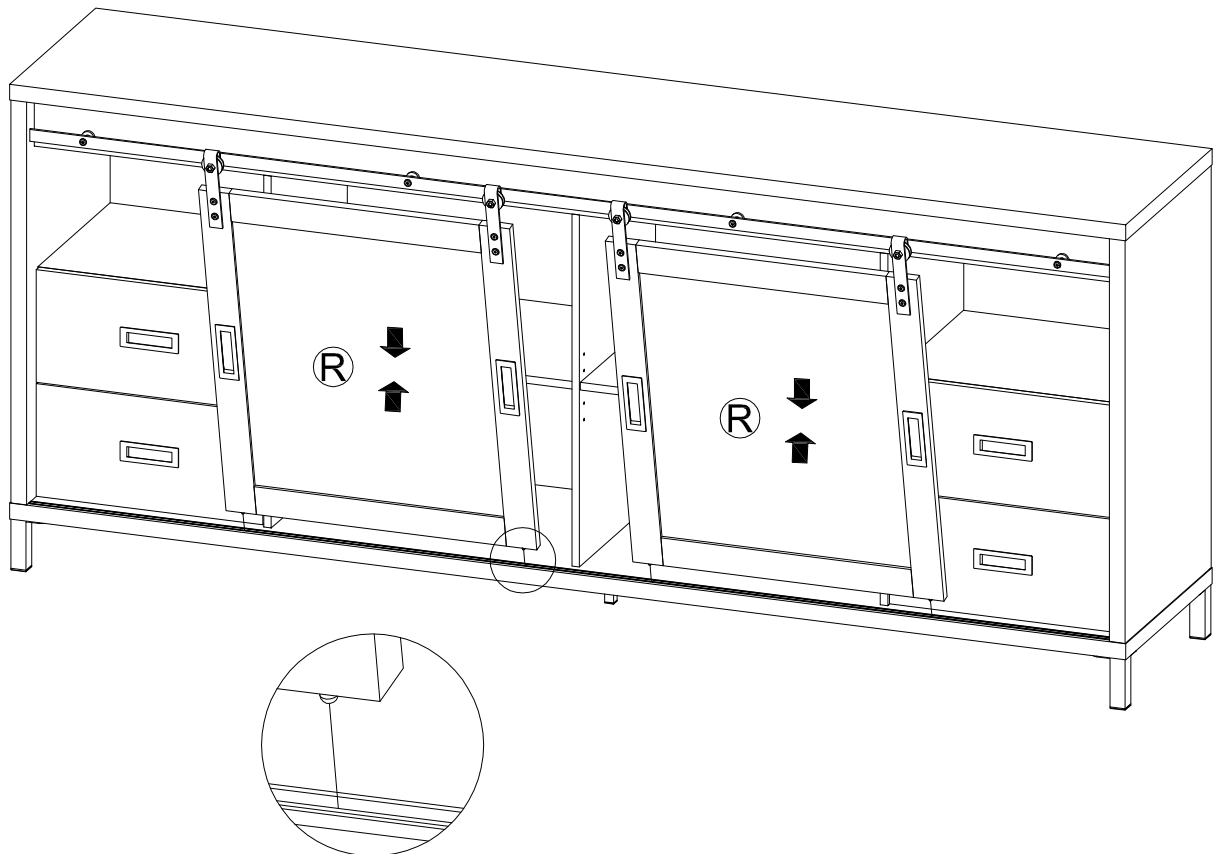




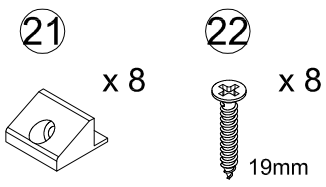
23



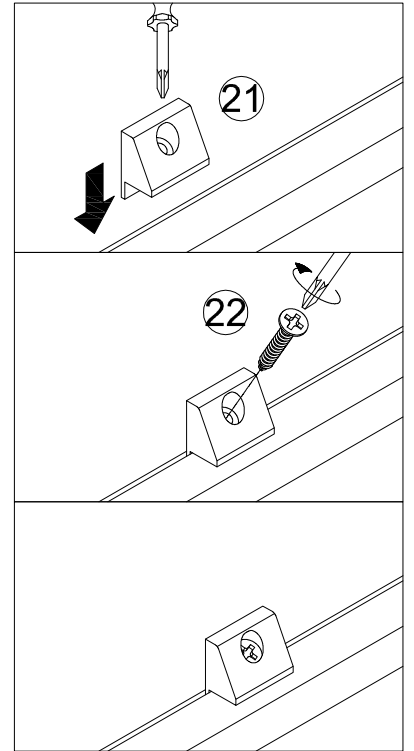
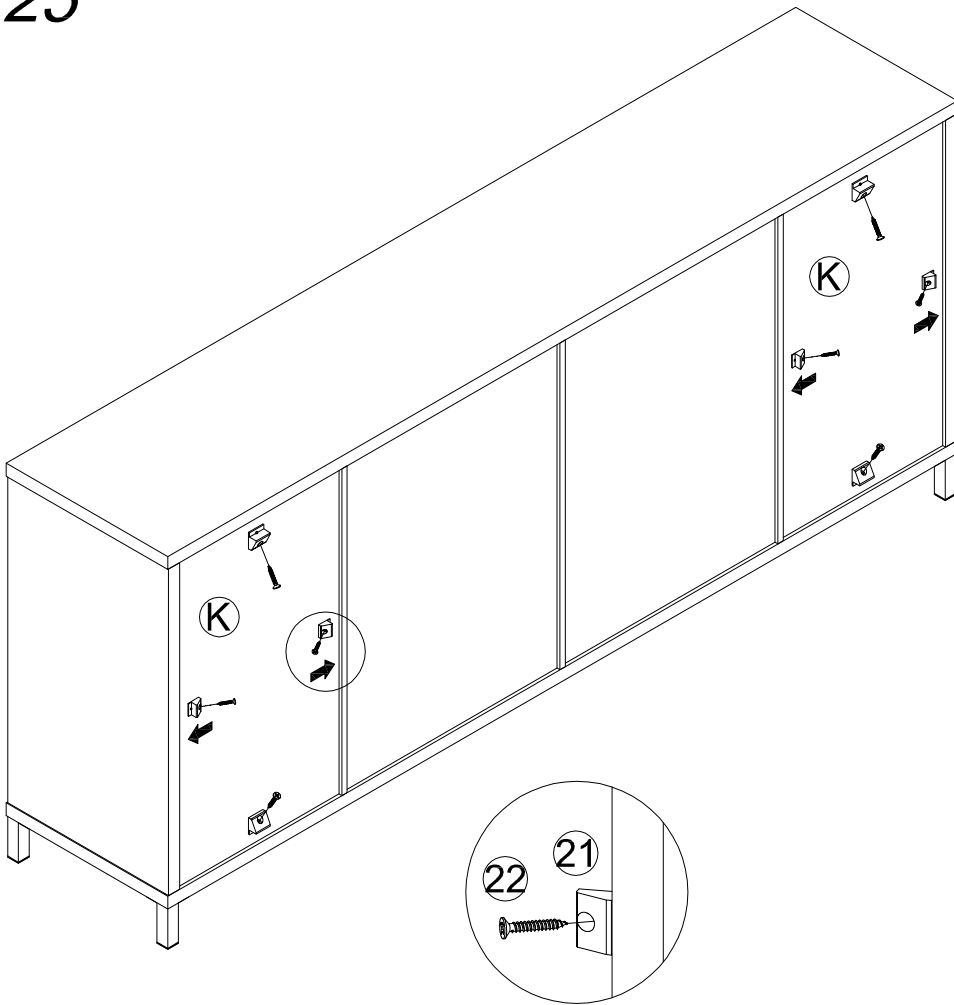
24



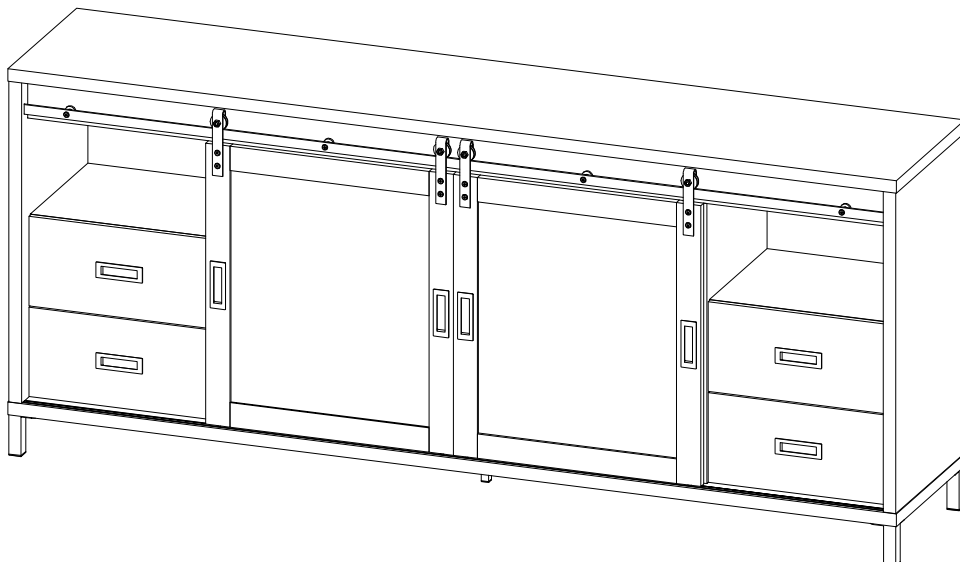




25



26



27

