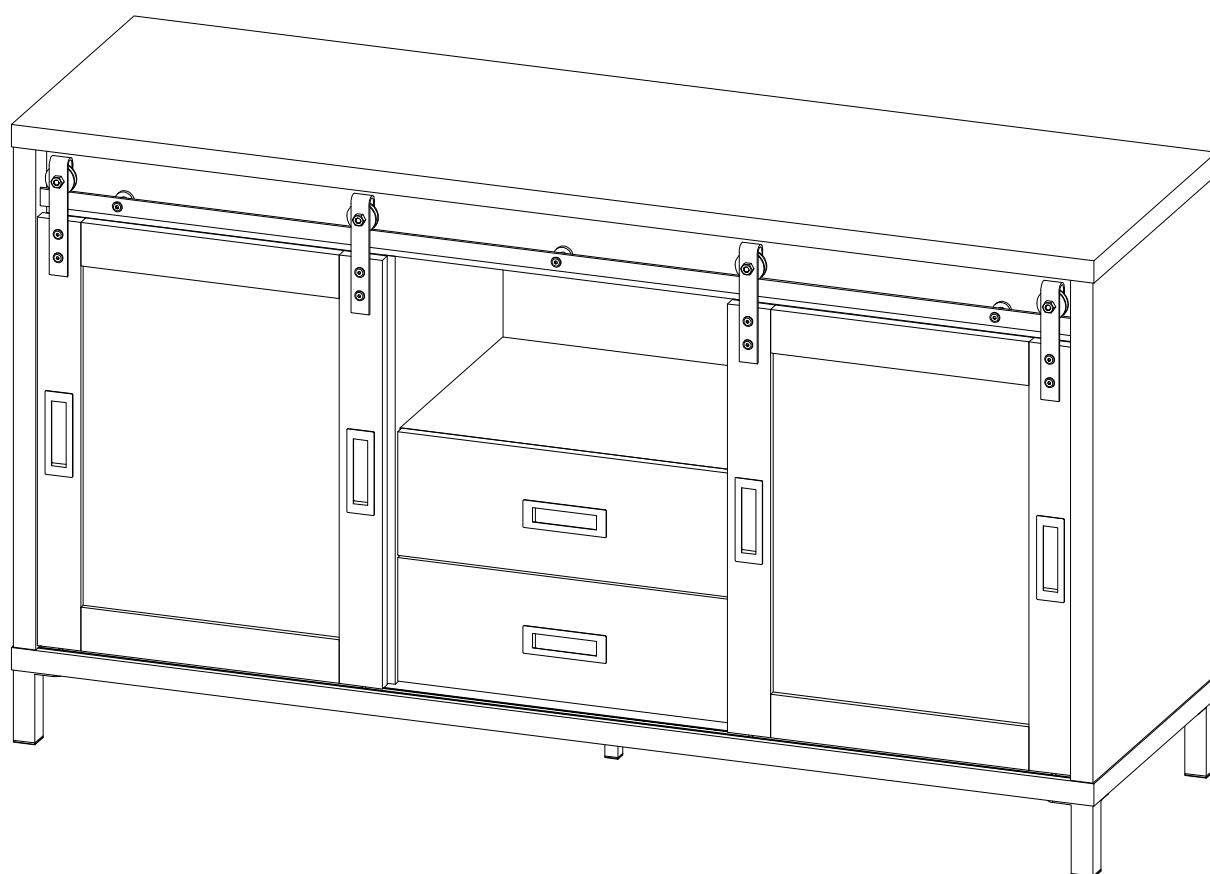
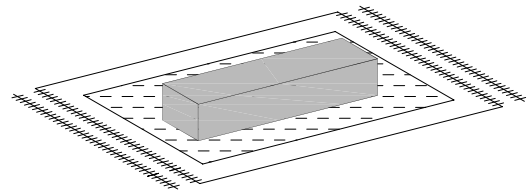
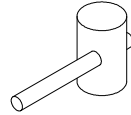
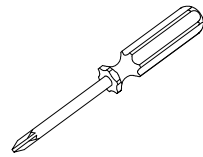
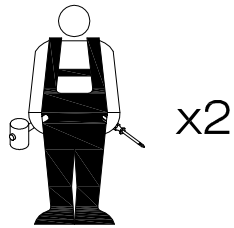


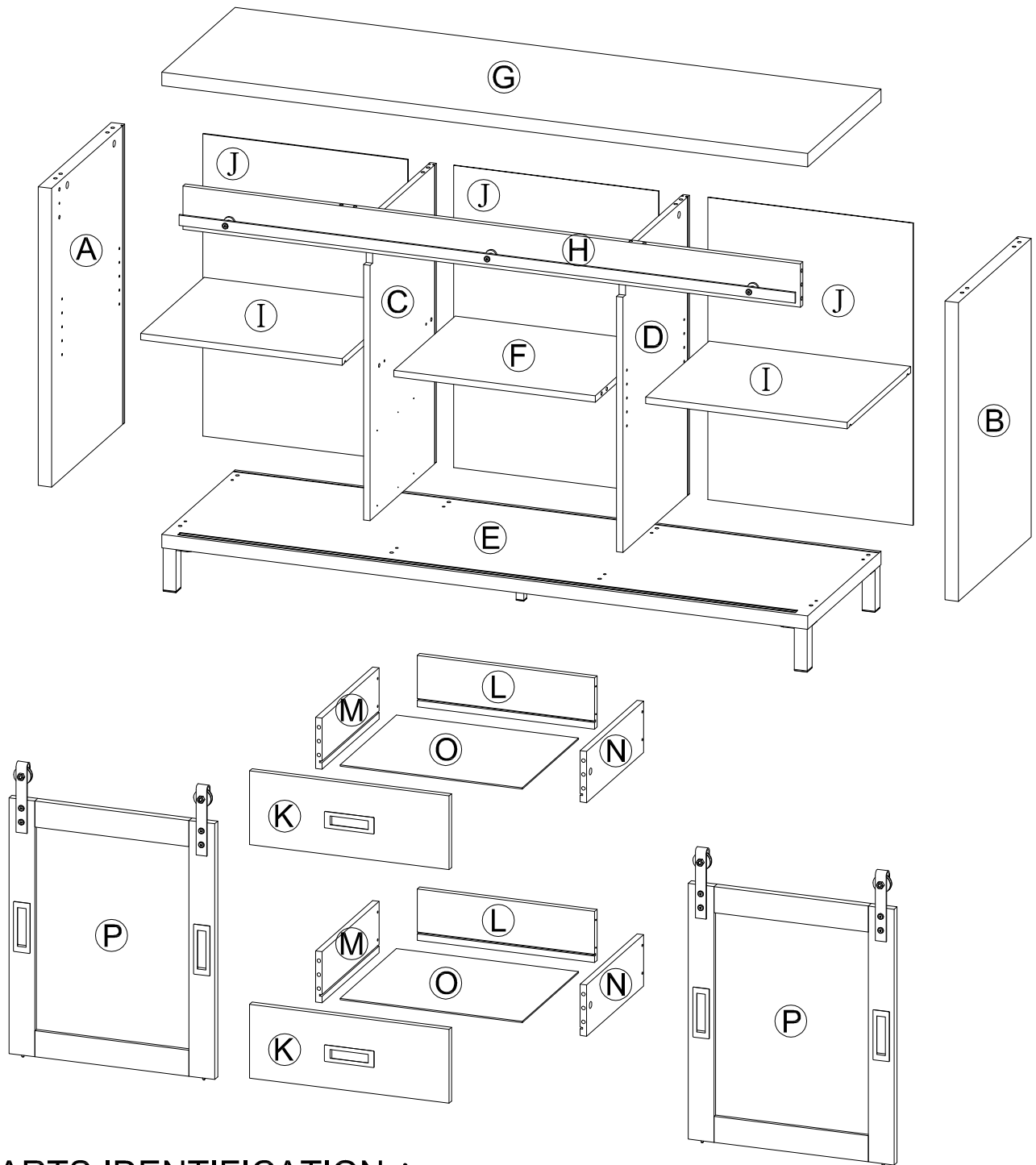
71071
SIDE TABLE
DRESSOIR





① x 1 40g	② x 34 ø8 x 30mm	③ x 20 35mm	④ x 20 ø15 x 12mm	⑤ x 8 55mm
⑥ x 8 35mm	⑦ x 8 15mm	⑧ x 2 350mm	⑨ x 24 12mm	⑩ x 6 115mm
⑪ x 12 ø4 x 15mm	⑫ x 4 24mm	⑬ x 3 M6x43mm	⑭ x 8 M6x19mm	⑮ x 1 115mm
⑯ x 4 30 x 30 x 97mm	⑰ x 1 18 x 18 x 95mm	⑱ x 10 ø5 x 20mm	⑲ x 4 30 x 30mm	⑳ x 1 18 x 18mm
㉑ x 8 16 x 8.5mm	㉒ x 8 19mm	㉓ x 4 ø20mm	㉔ x 1 L = 1430mm	㉕ x 3 ø25x25mm
㉖ x 4 ø40.5x160mm	㉗ x 2 ø40.5x160mm			

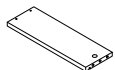
**HARDWARE PACK IS LOCATED IN B2
BESLAG VERPAKT IN PAKKET 2 / 2**



B1 PARTS IDENTIFICATION :
1/2 BESCHRIJVING ONDERDELEN :

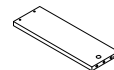
<p>(E) BOTTOM PANEL (E) BODEM PANEEL</p>		<p>1PC</p>	<p>(H) UPPER CROSS BRACE (H) VOORREGEL</p>		<p>1PC</p>
<p>(G) TOP PANEL (G) BLAD</p>		<p>1PC</p>	<p>(L) DRAWER BACK PANEL (L) ACHTERWAND LADE</p>		<p>2PCS</p>

(M) LEFT DRAWER SIDE PANEL
(M) ZIJDE LADE LINKS



2PCS

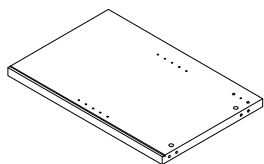
(N) RIGHT DRAWER SIDE PANEL
(N) ZIJDE LADE RECHTS



2PCS

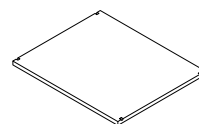
B2 PARTS IDENTIFICATION : 2/2 BESCHRIJVING ONDERDELEN :

(A) LEFT SIDE PANEL
(A) ZIJPANEEL LINKS



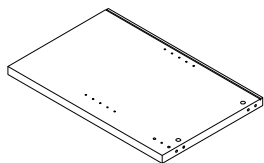
1PC

(I) ADJUSTABLE SHELF
(I) VERSTLBAAR SCHAP



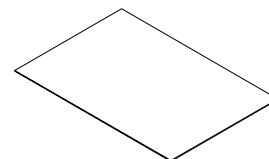
2PCS

(B) RIGHT SIDE PANEL
(B) ZIJPANEEL RECHTS



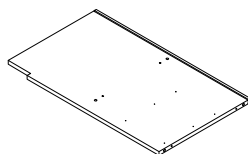
1PC

(J) BACK PANEL
(J) ACHTERWAND



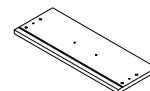
3PCS

(C) LEFT DIVIDER PANEL
(C) TUSSENSCHOT LINKS



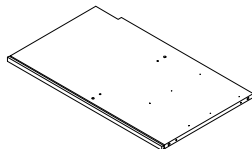
1PC

(K) DRAWER FRONT PANEL
(K) LADEFRONT



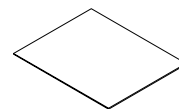
2PCS

(D) RIGHT DIVIDER PANEL
(D) TUSSENSCHOT RECHTS



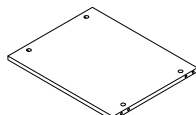
1PC

(O) DRAWER BOTTOM PANEL
(O) LADEBODEM



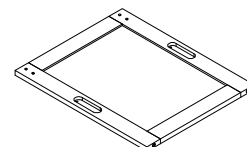
2PCS

(F) CROSS PANEL
(F) TUSSEN BODEM



1PC

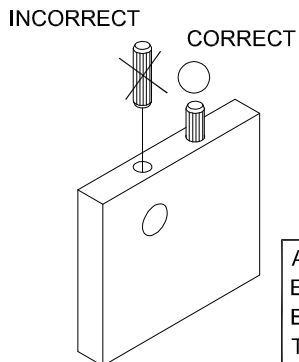
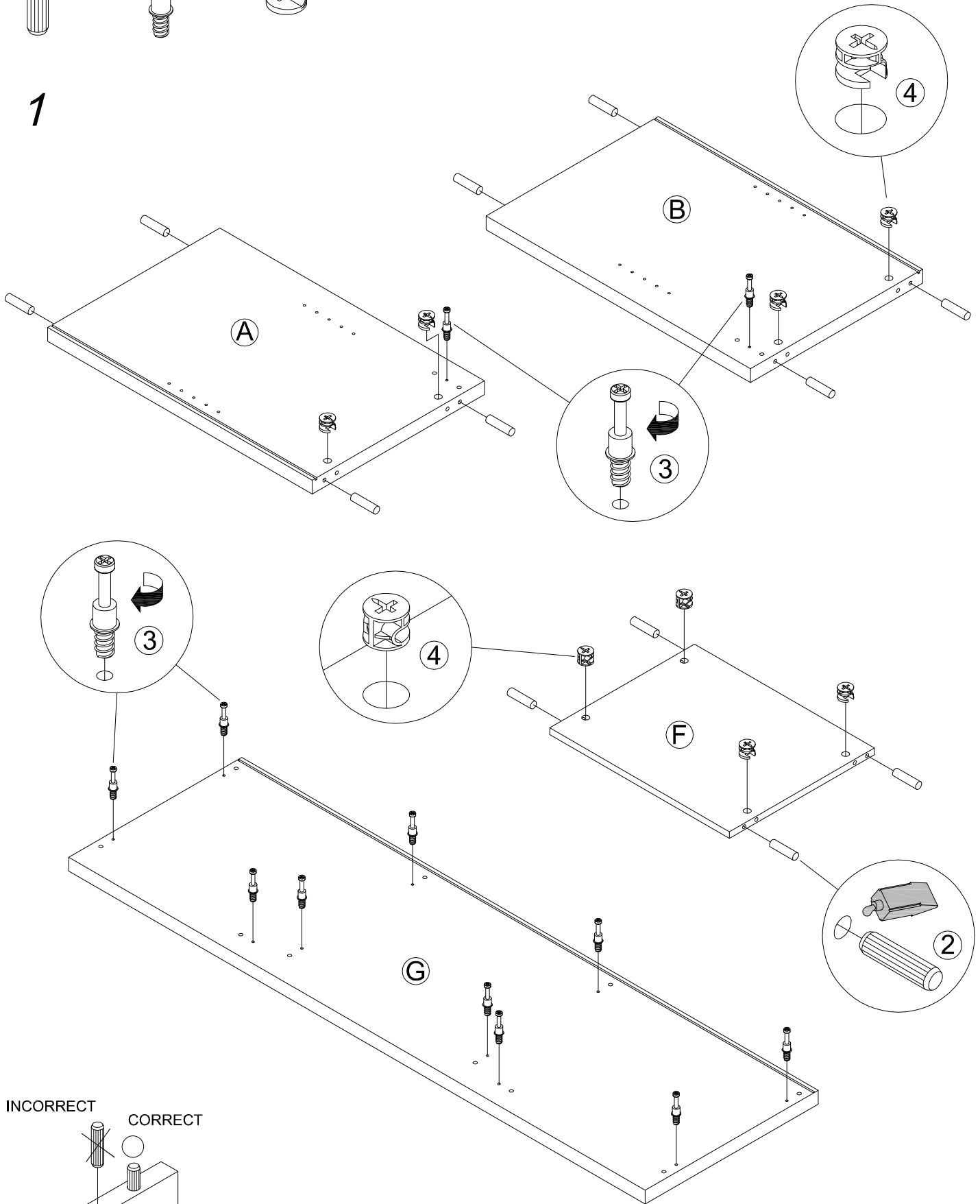
(P) DOOR
(P) DEUR



2PCS

- ② x 12
- ③ x 12
- ④ x 8

1

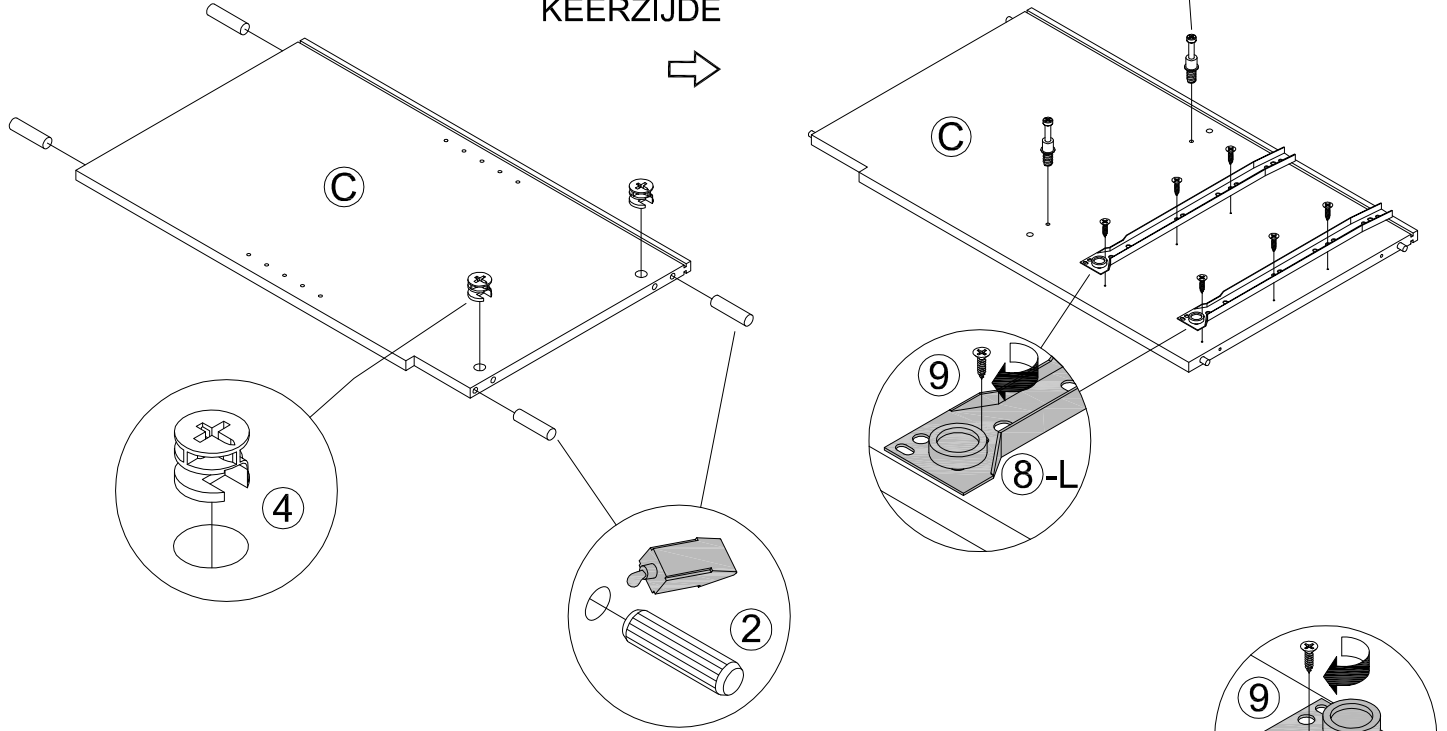


APPLY GLUE ON ALL WOODEN DOWELS TO ENSURE INTEGRITY OF THE STRUCTURE.
BRENG LIJM AAN OP ALLE HOUTEN DEUVELS TEN BEHOEVE VAN DE STEVIGHEID.

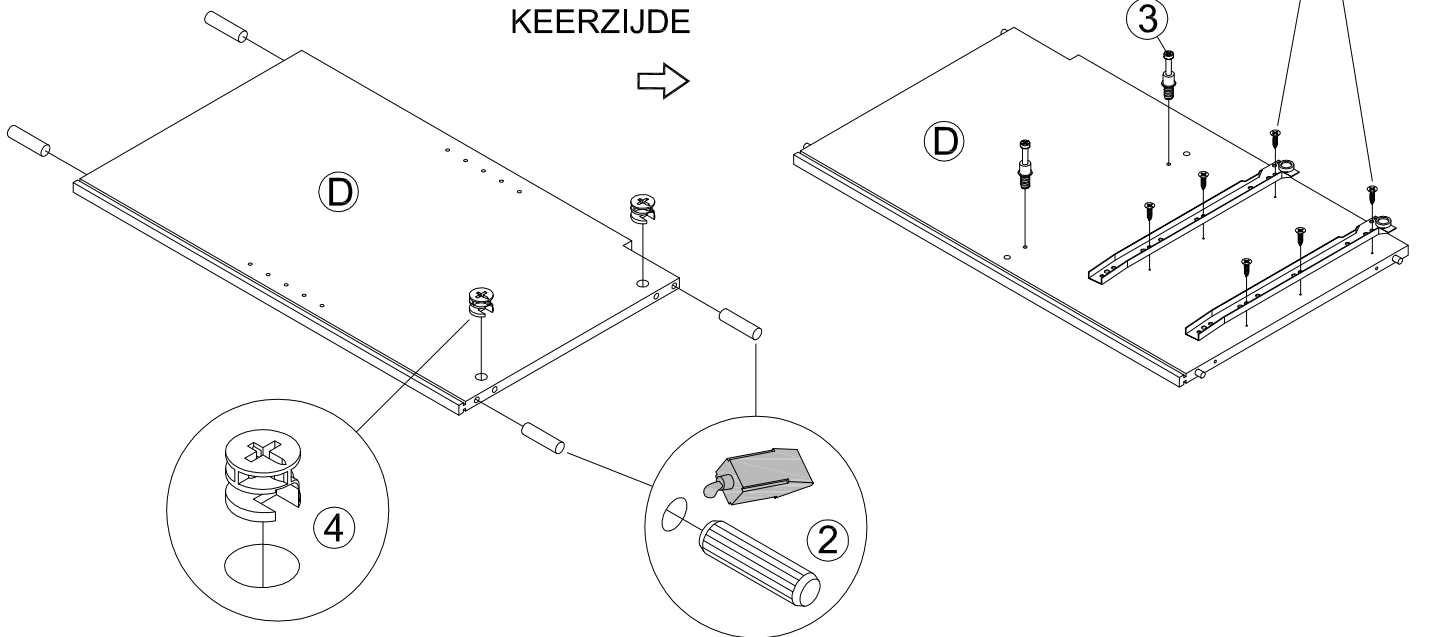
- ② x 8
- ③ x 4
- ④ x 4
- ⑧ x 2L
x 2R
- ⑨ x 12
12mm

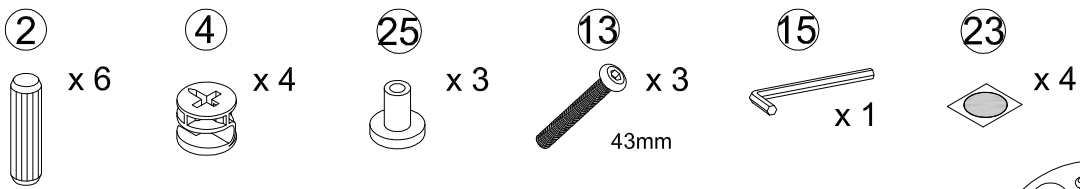
2

THE REVERSE SIDE
KEERZIJDE



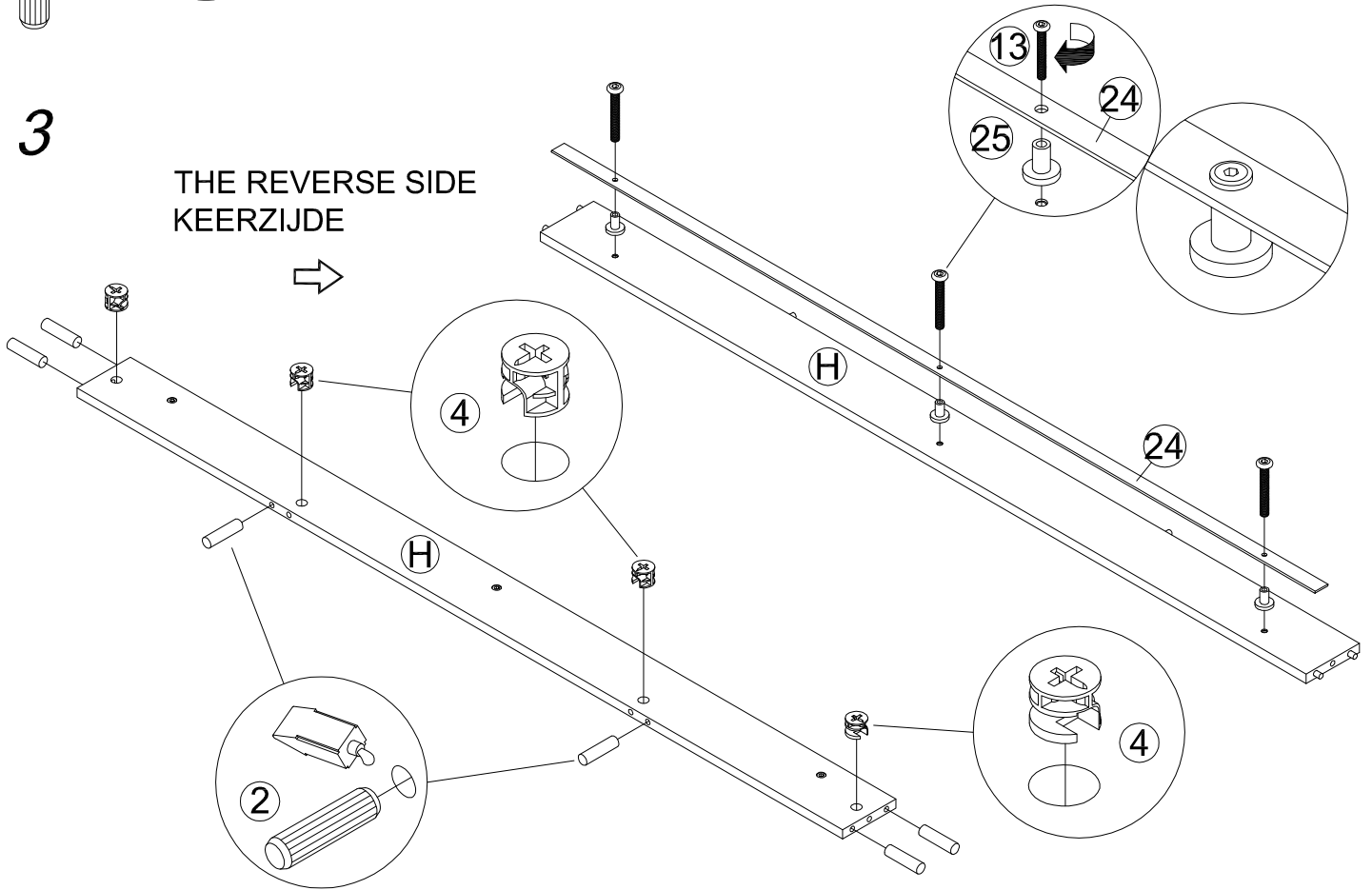
THE REVERSE SIDE
KEERZIJDE



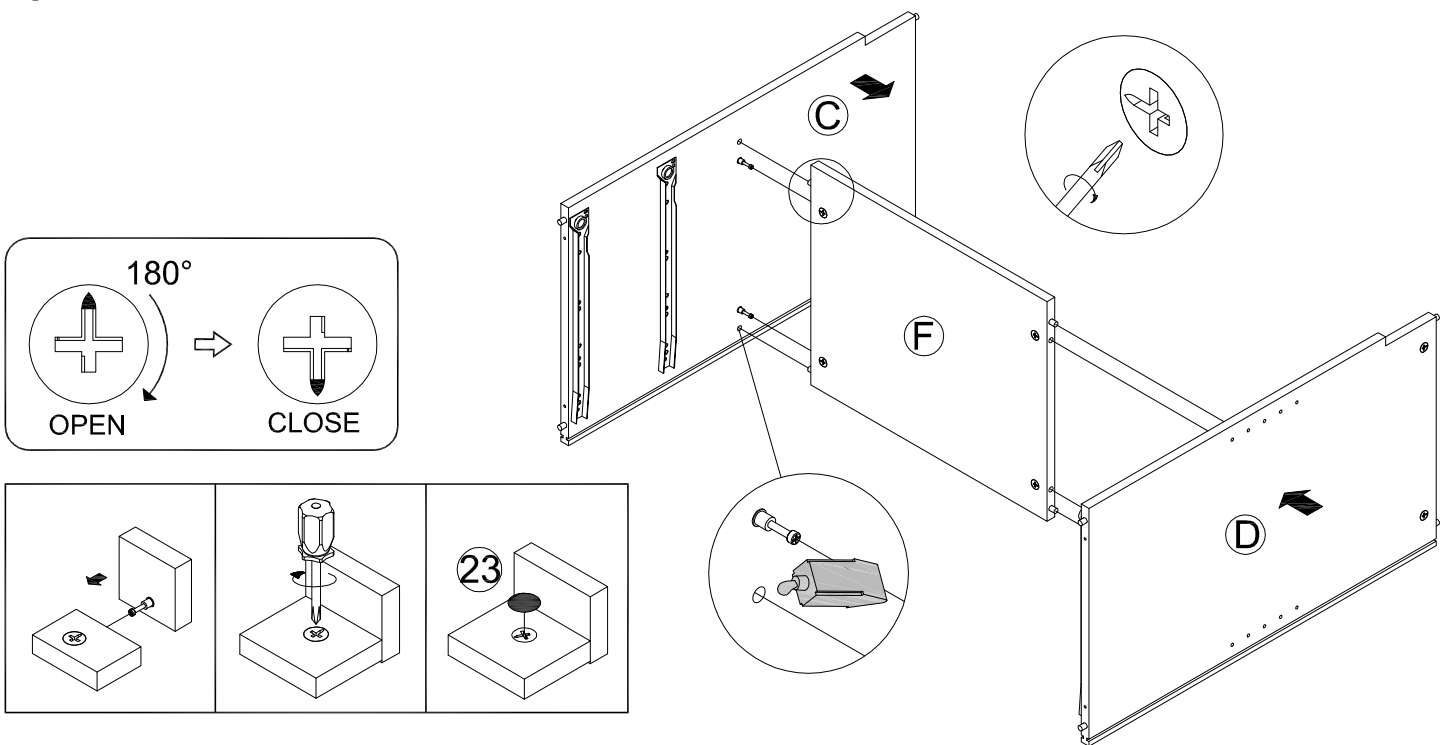


3

THE REVERSE SIDE
KEERZIJDE



4



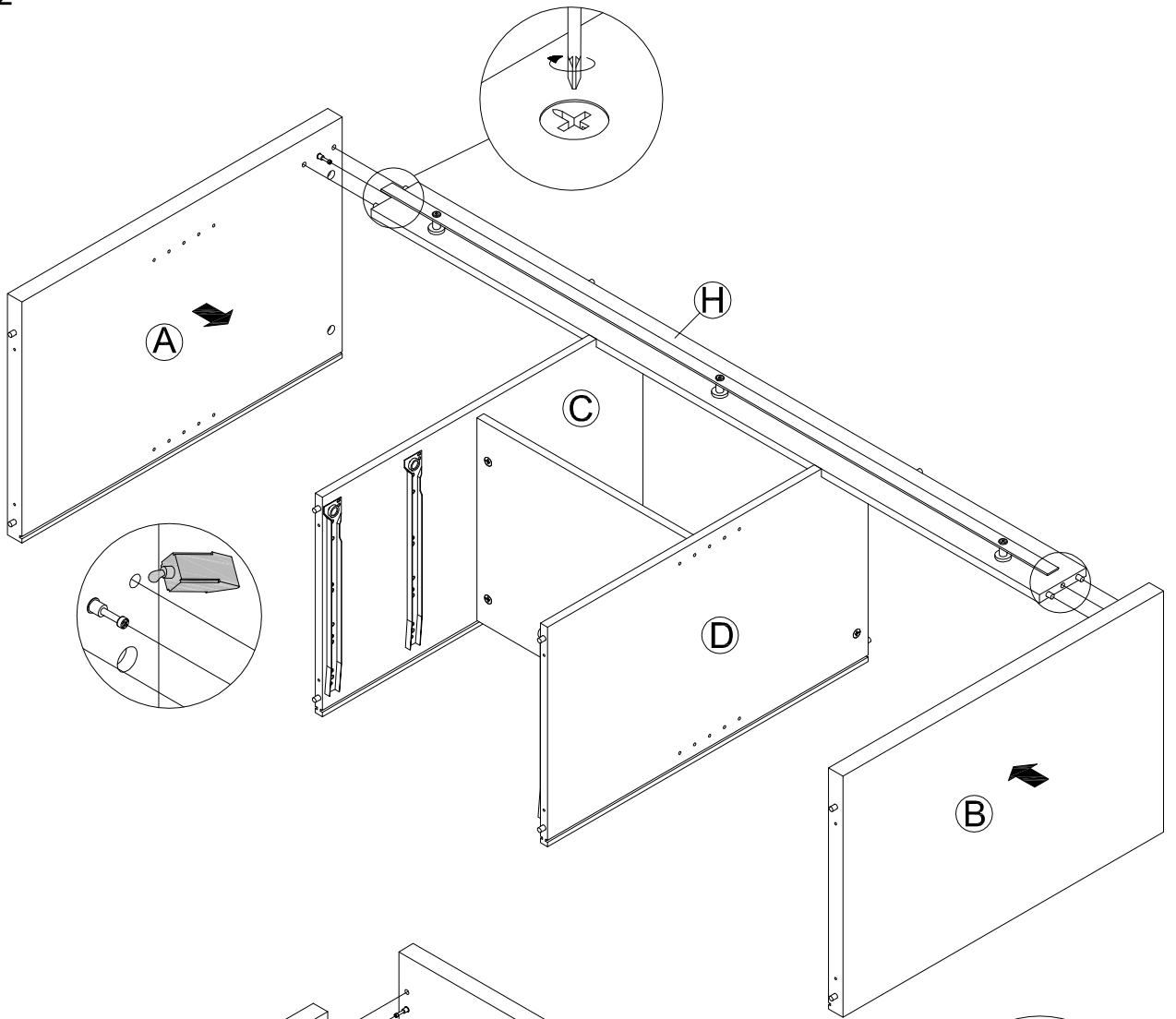
WHEN CAM BOLTS (3) IS ATTACHED, INSERT CAM LOCKS (4)
 AN TIGHTLY FASTEN BY TURNING CLOCKWISE.
 SCHUIF DE CONNECTOR (4) ERIN ZODRA DE CONNECTOR PIN (3)
 AANGEBRACHT IS EN BEVESTIG DEZE STEVIG DOOR MET DE
 KLOK MEE TE DRAAIEN.

23

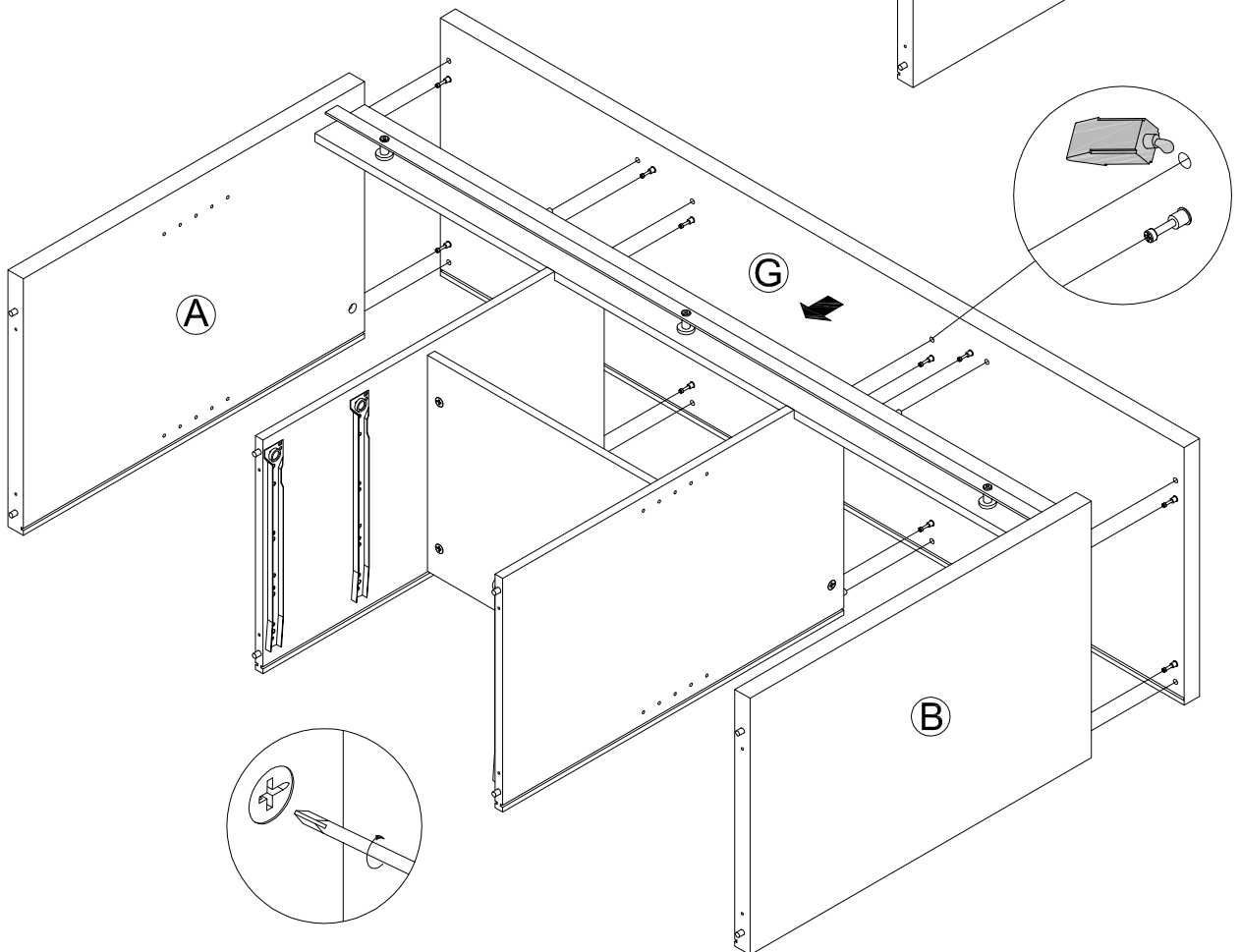


x 12

5

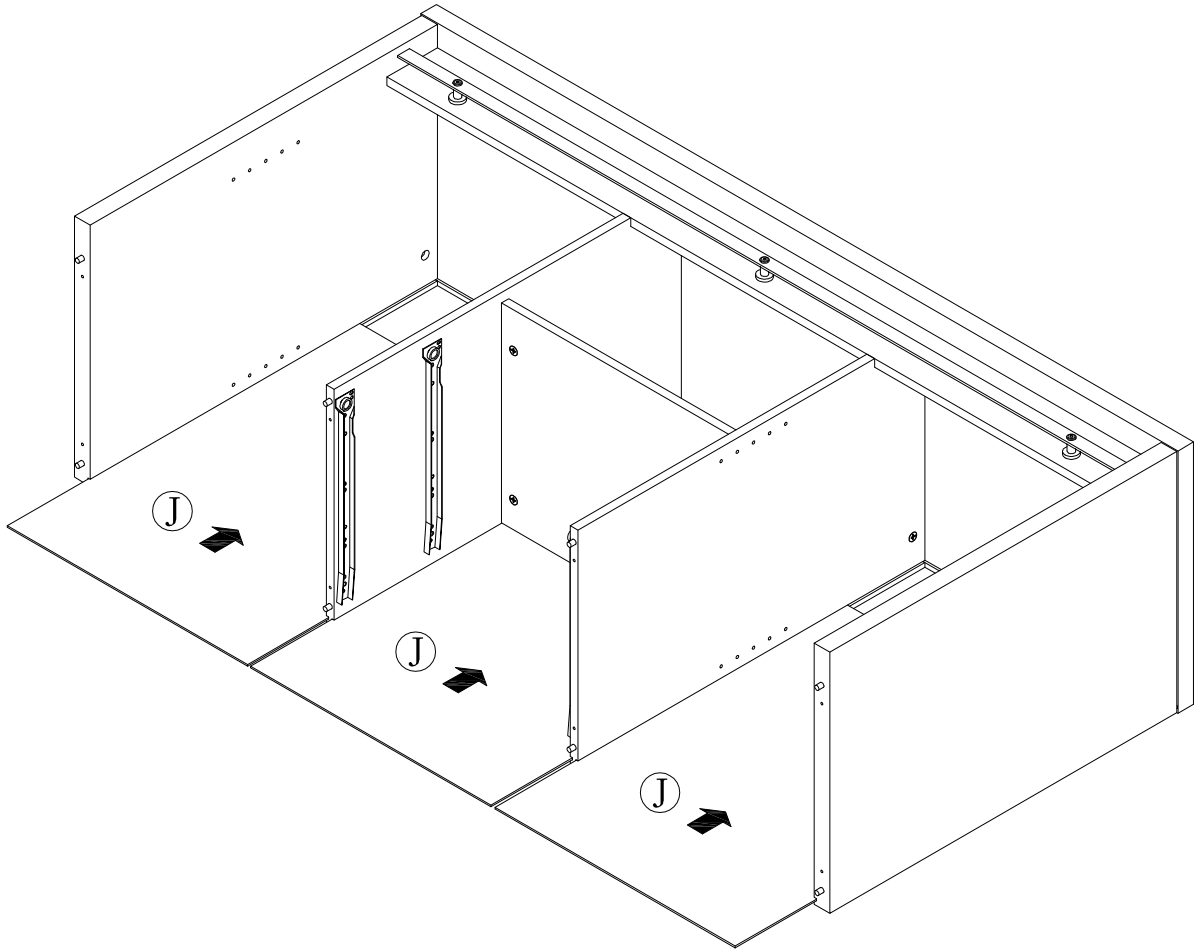


6

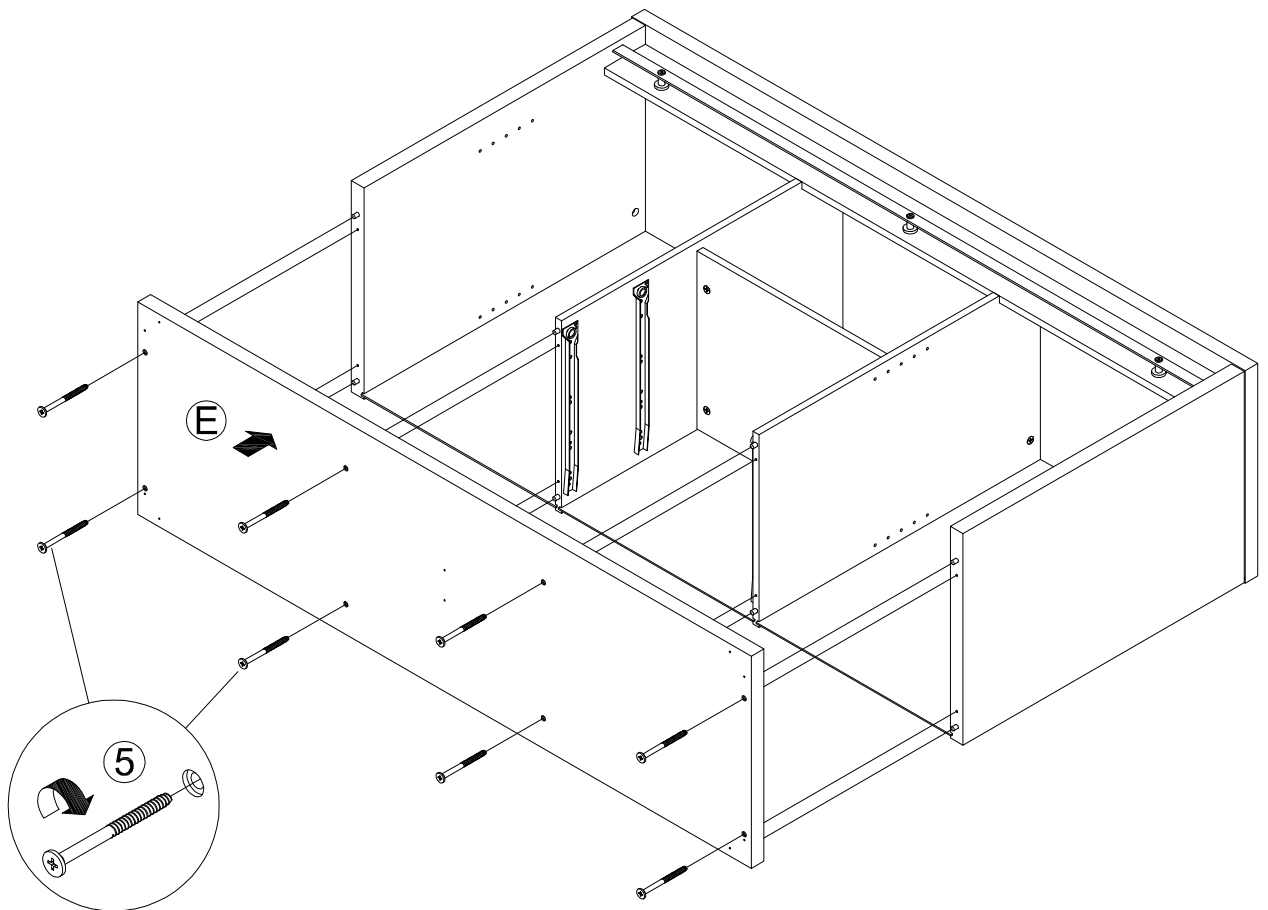


5
x 8
55mm

7

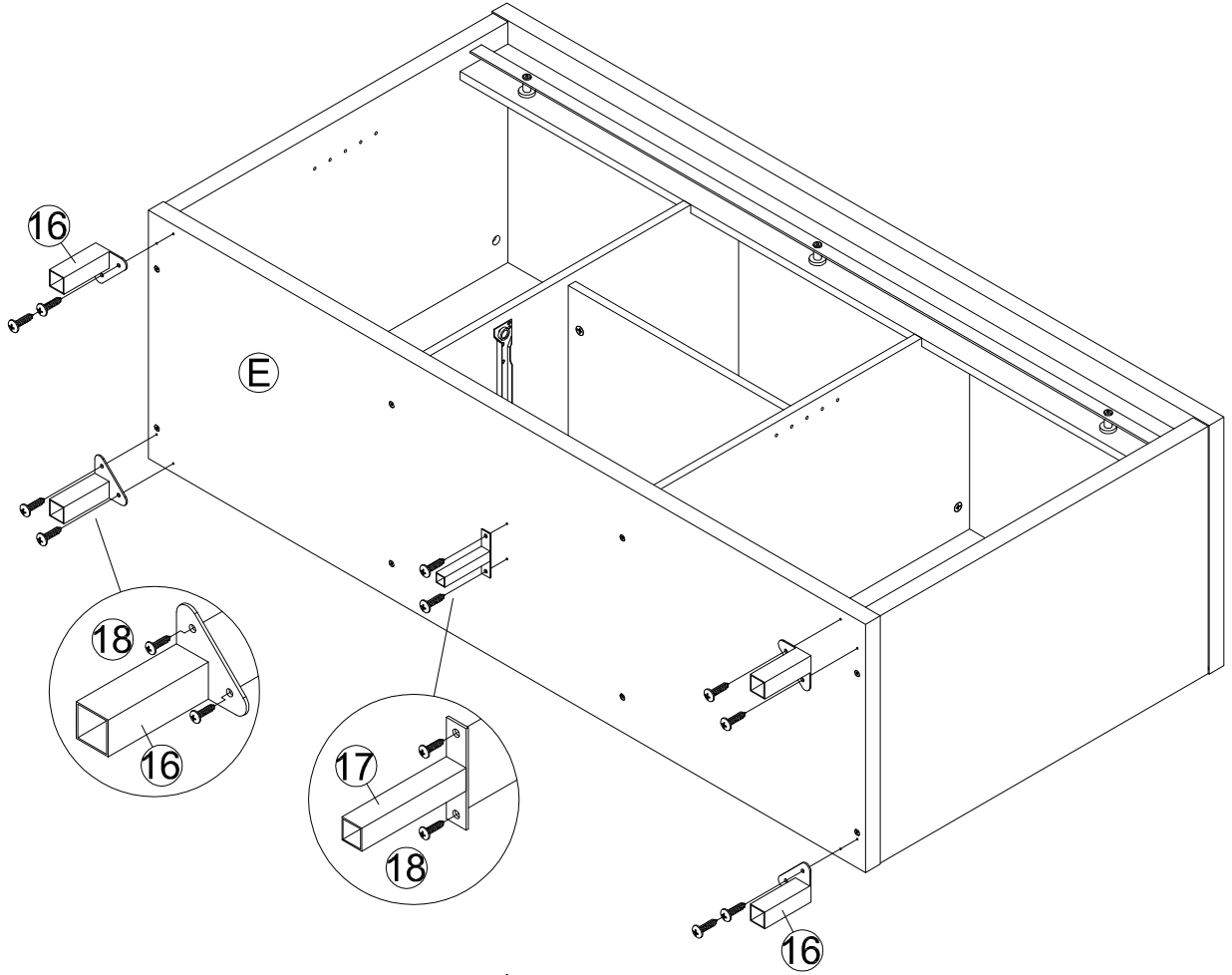


8

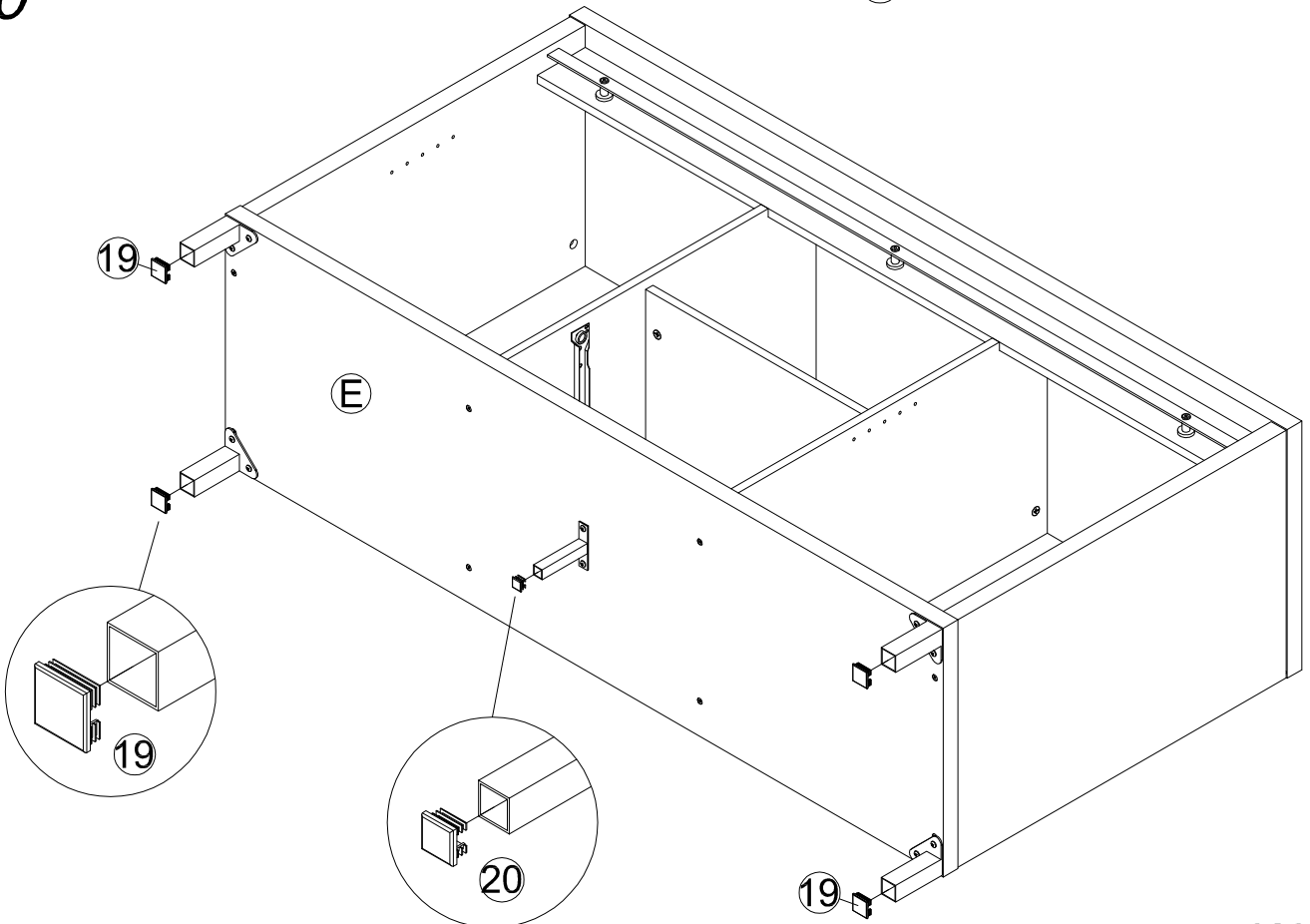


- ①⑥ x 4
- ①⑦ x 1
- ①⑧ x 10
20mm
- ①⑨ x 4
- ①⑩ x 1

9



10

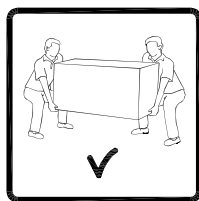
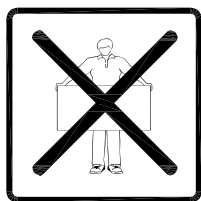
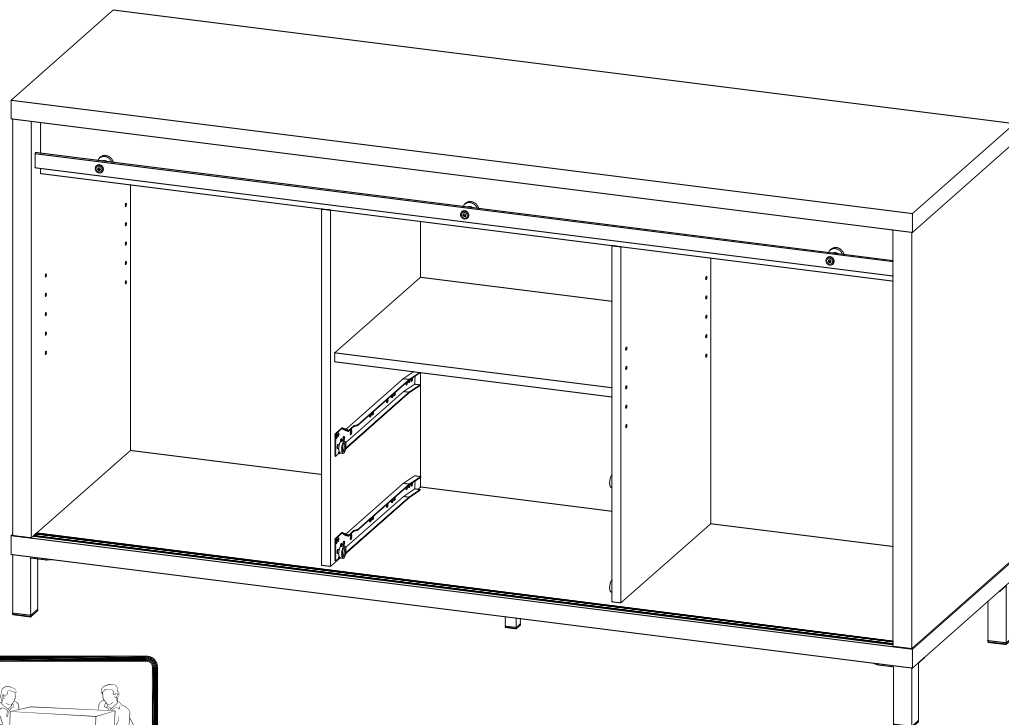


7

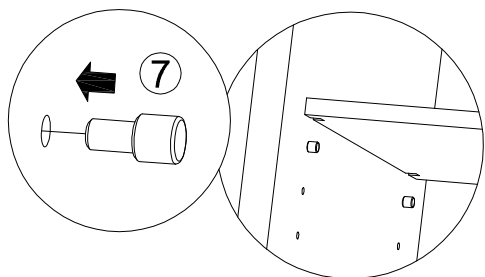
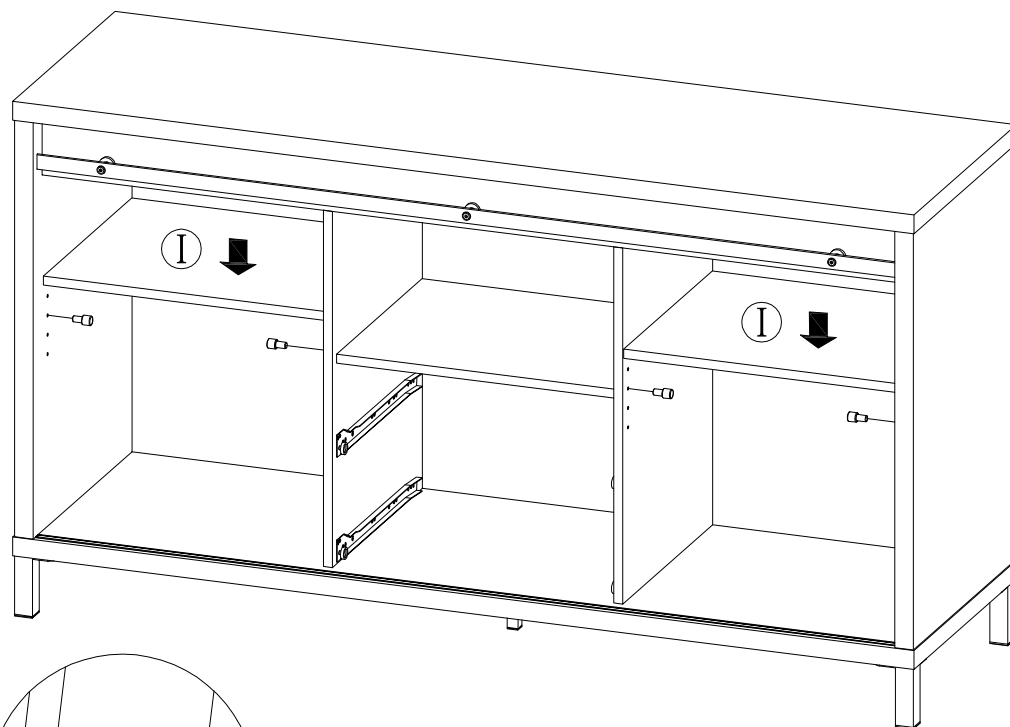
x 8

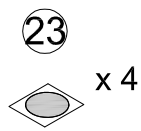
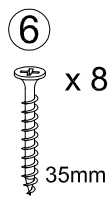
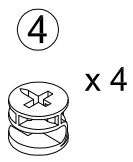
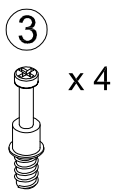
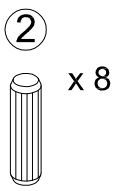


11

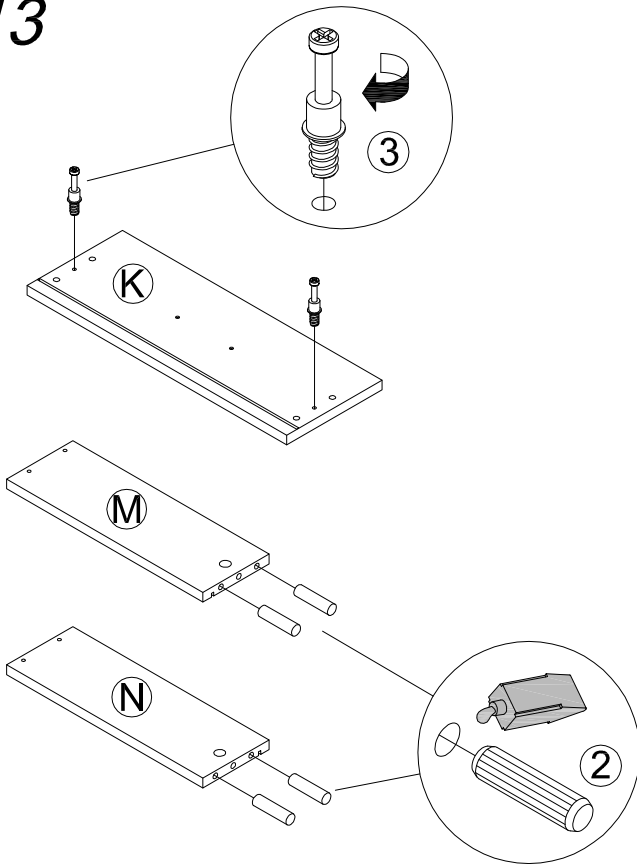


12

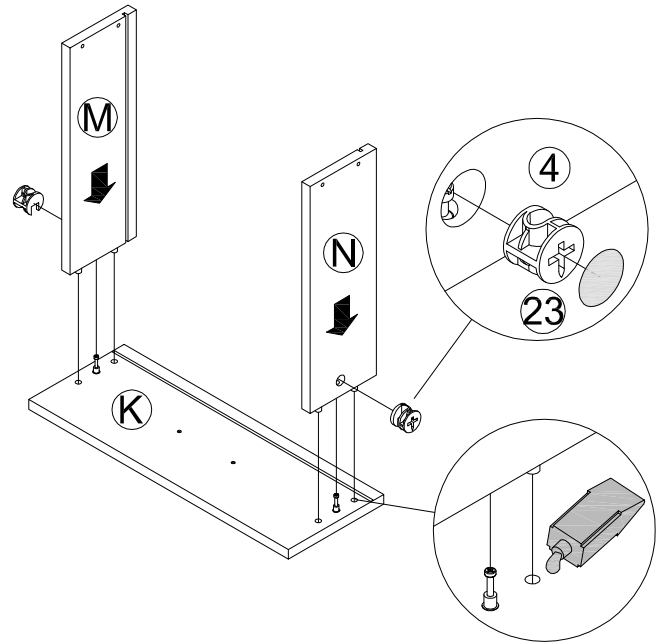




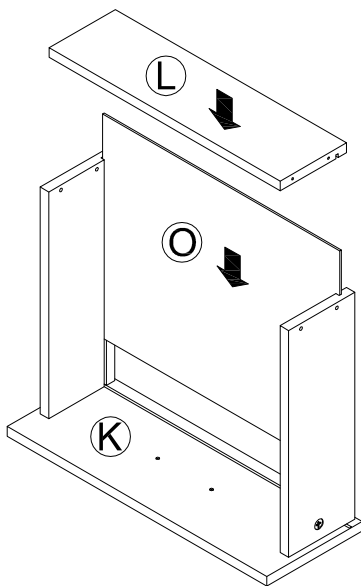
13



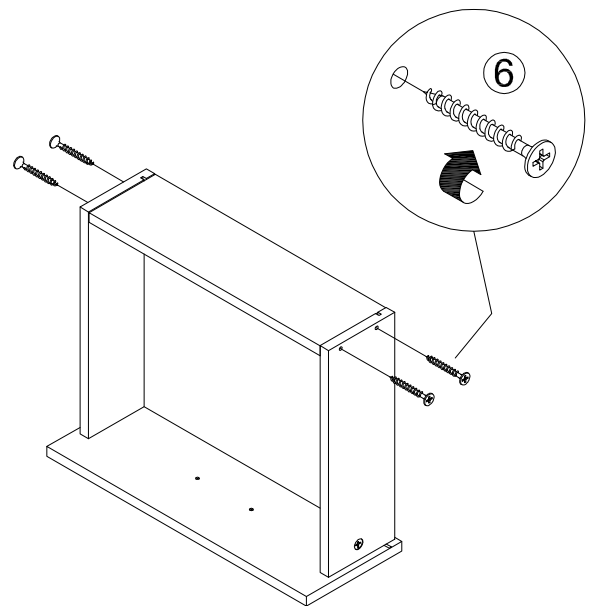
14



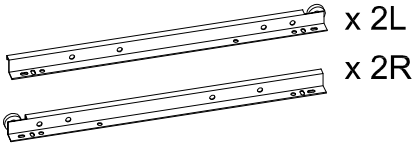
15



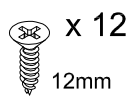
16



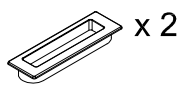
8



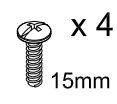
9



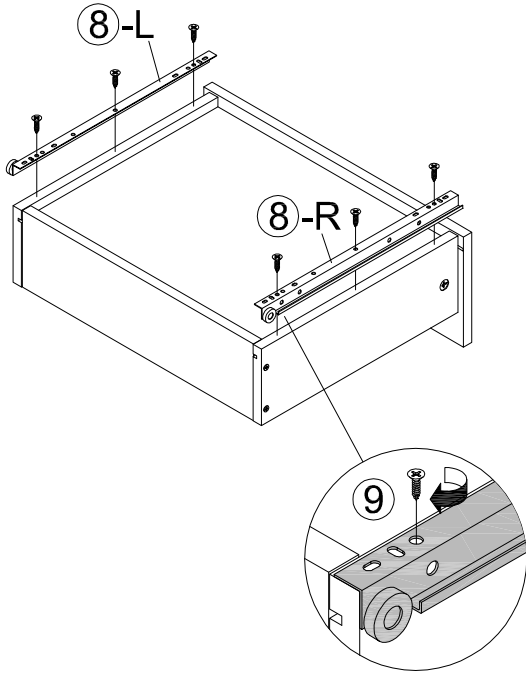
10



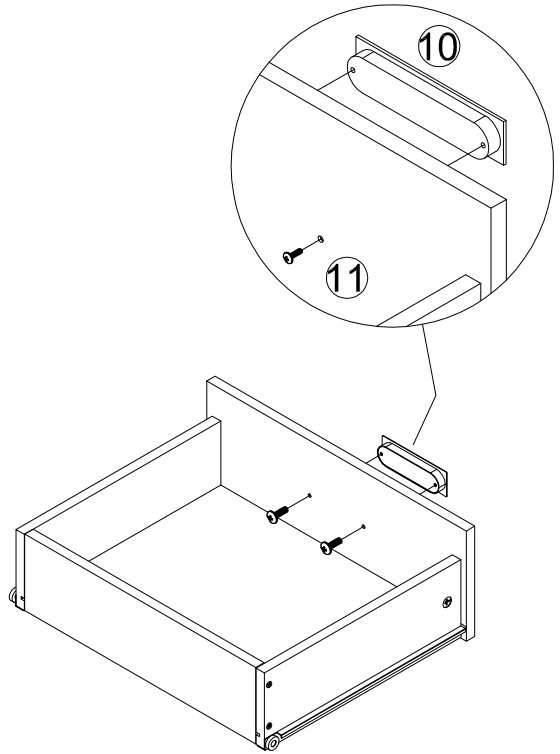
11



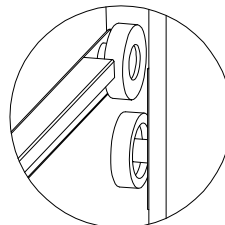
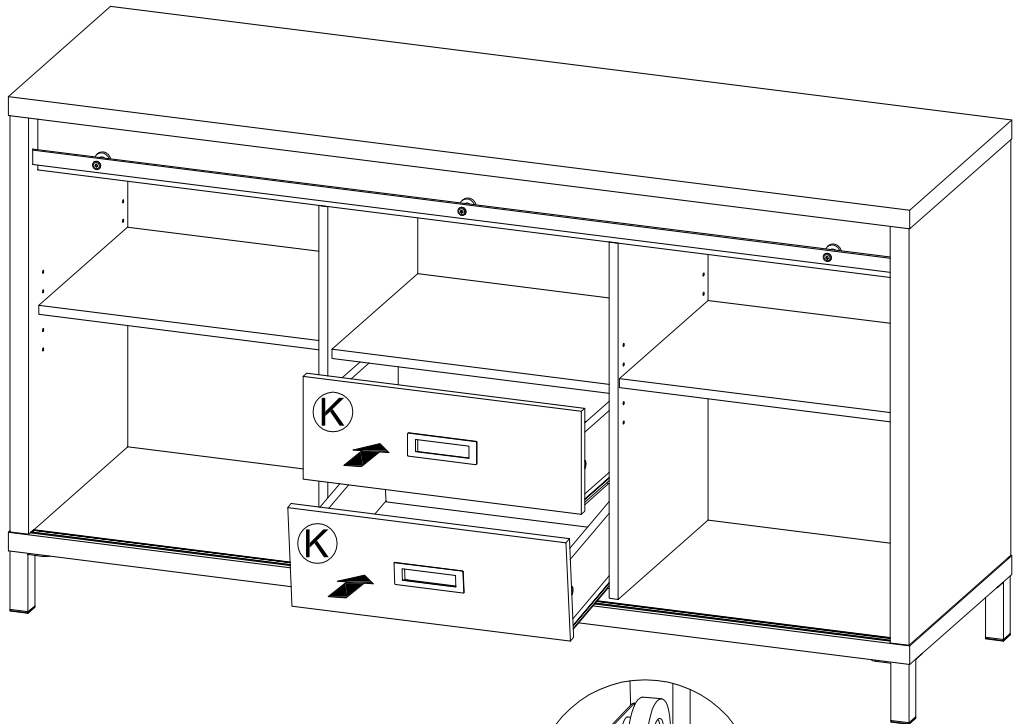
17



18

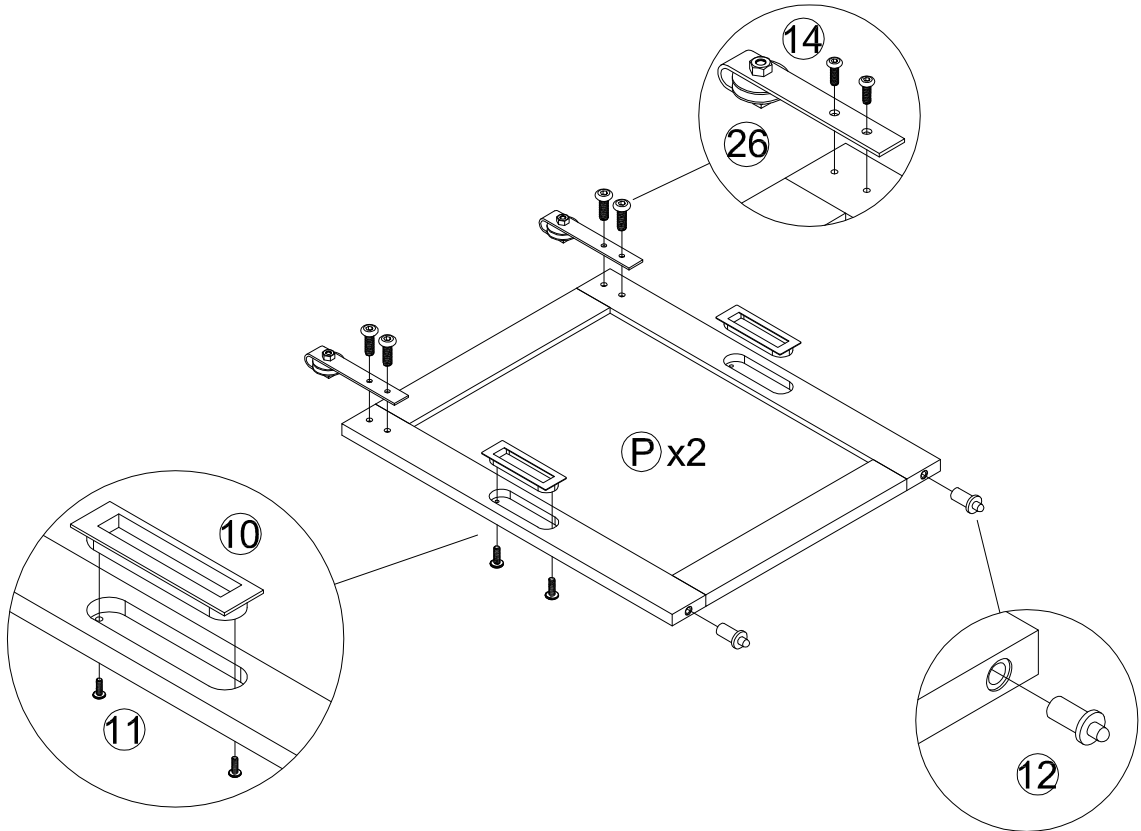


19

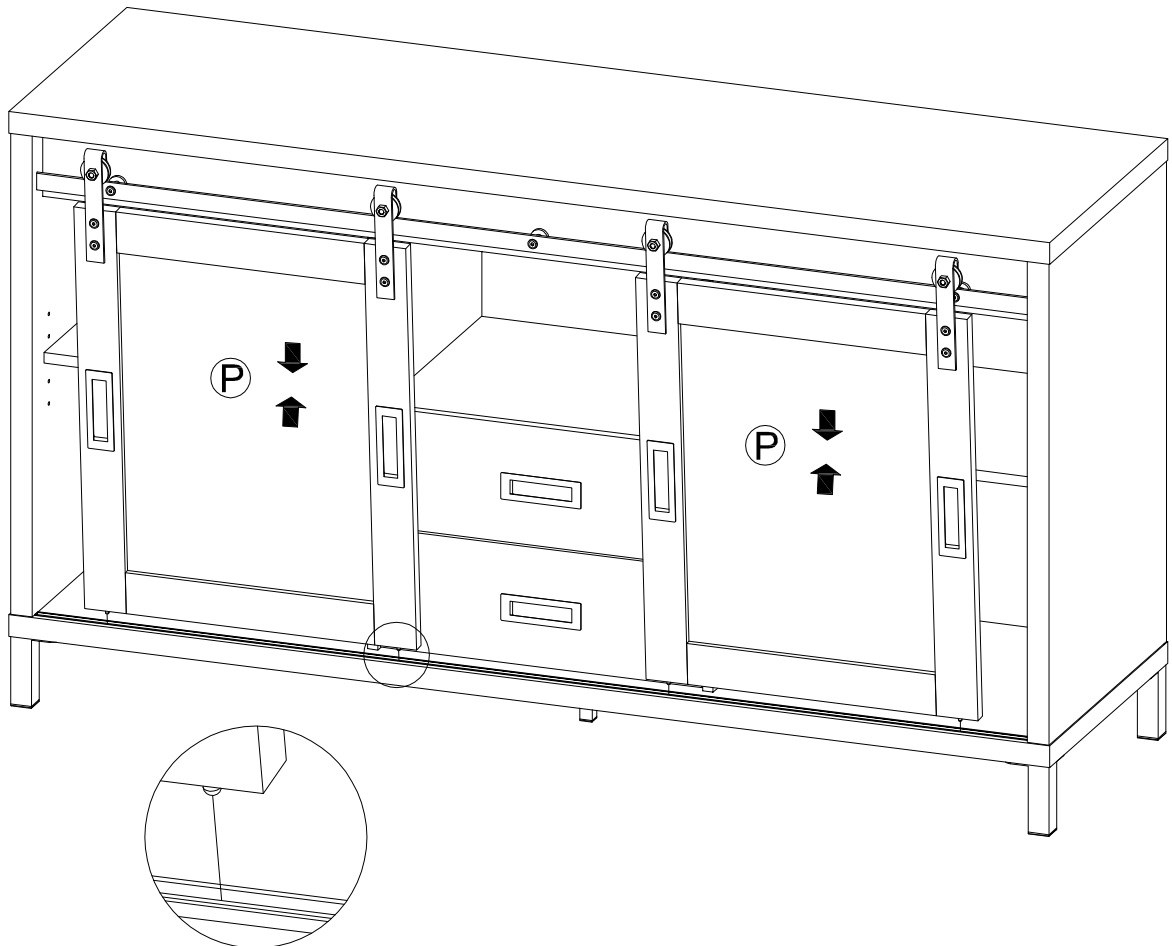


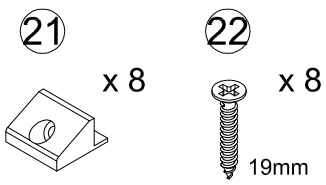
- ⑩
x 4
- ⑪
x 8
15mm
- ⑫
x 4
- ⑳
x 4
- ⑭
x 8
19mm
- ⑮
x 1

20

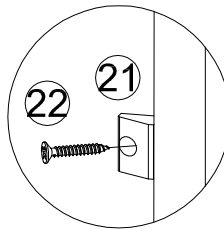
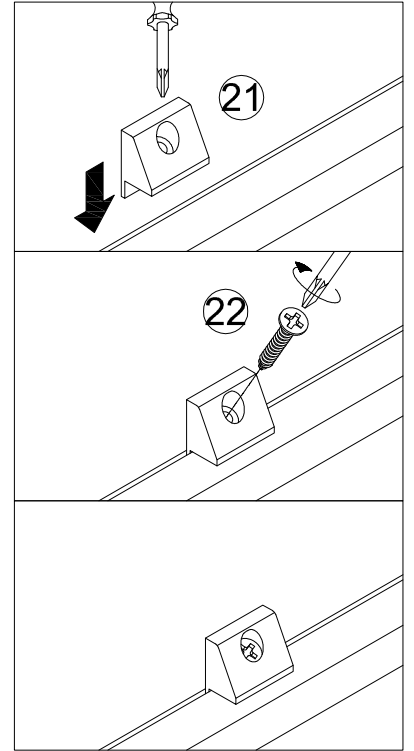
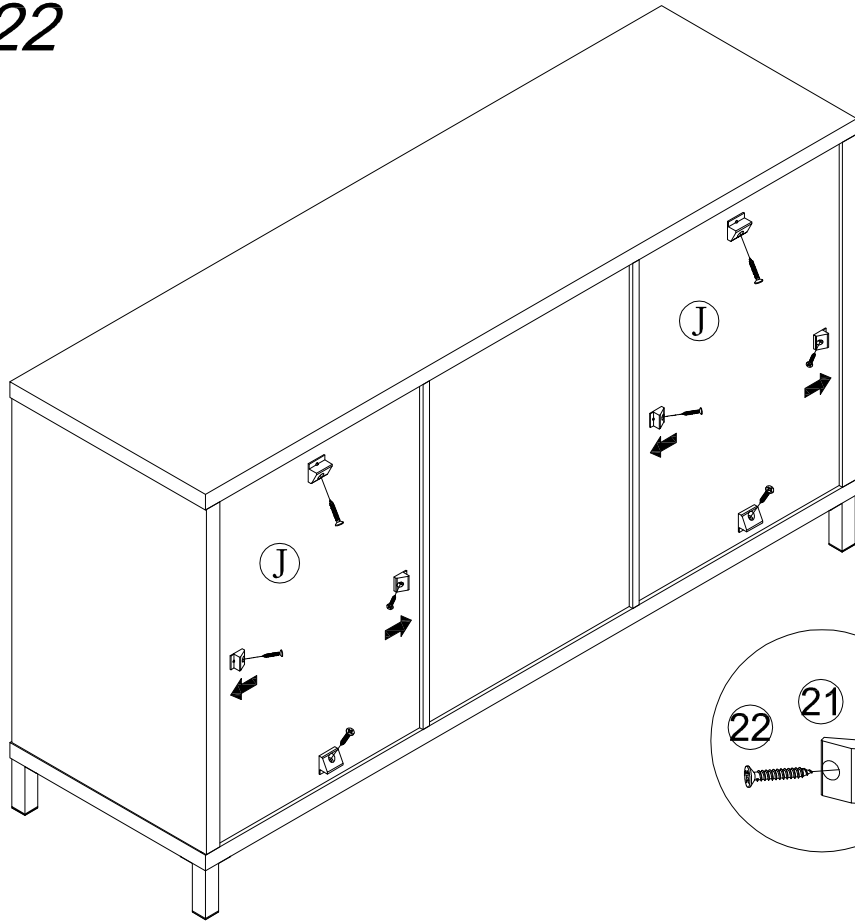


21

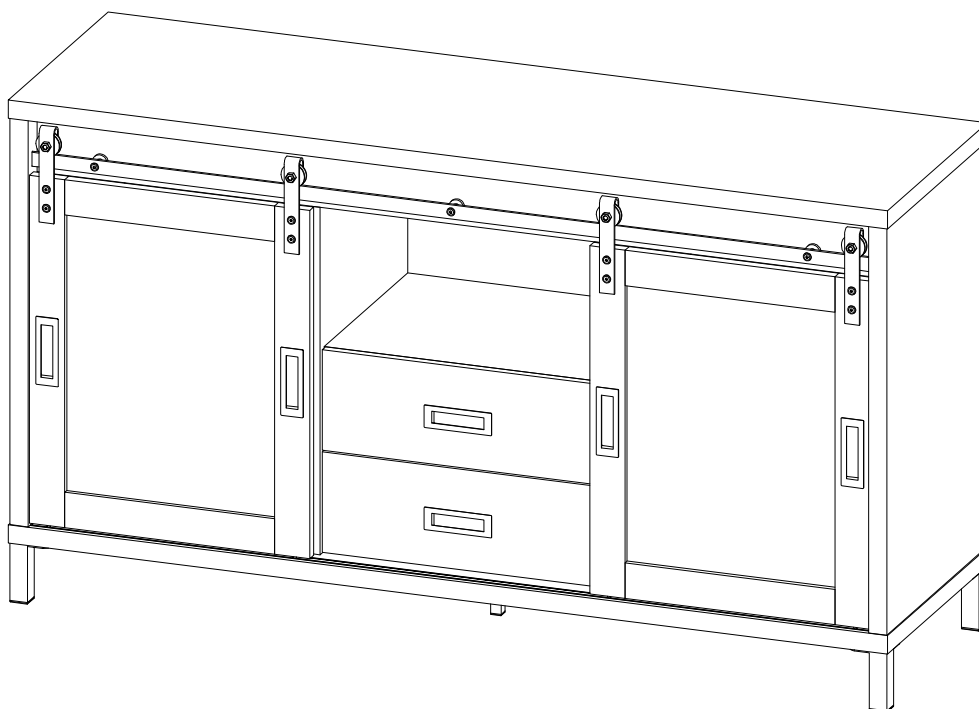




22



23



27

